

Barudan

COMPUTERIZED MONOGRAM MACHINE

MODEL **BEAT** ⁸⁰²_{M802} - **YS**

PARTS LIST

V10021

BARUDAN CO., LTD.

ADDRESS 20-TSUKAGOSHI, JOSUIJI
ICHINOMIYA-CITY, AICHI-PREF.
JAPAN

TEL. <0586>76-1137
TELEX 4573268 BARUNA J
CABLE BARUNA ICHINOMIYA

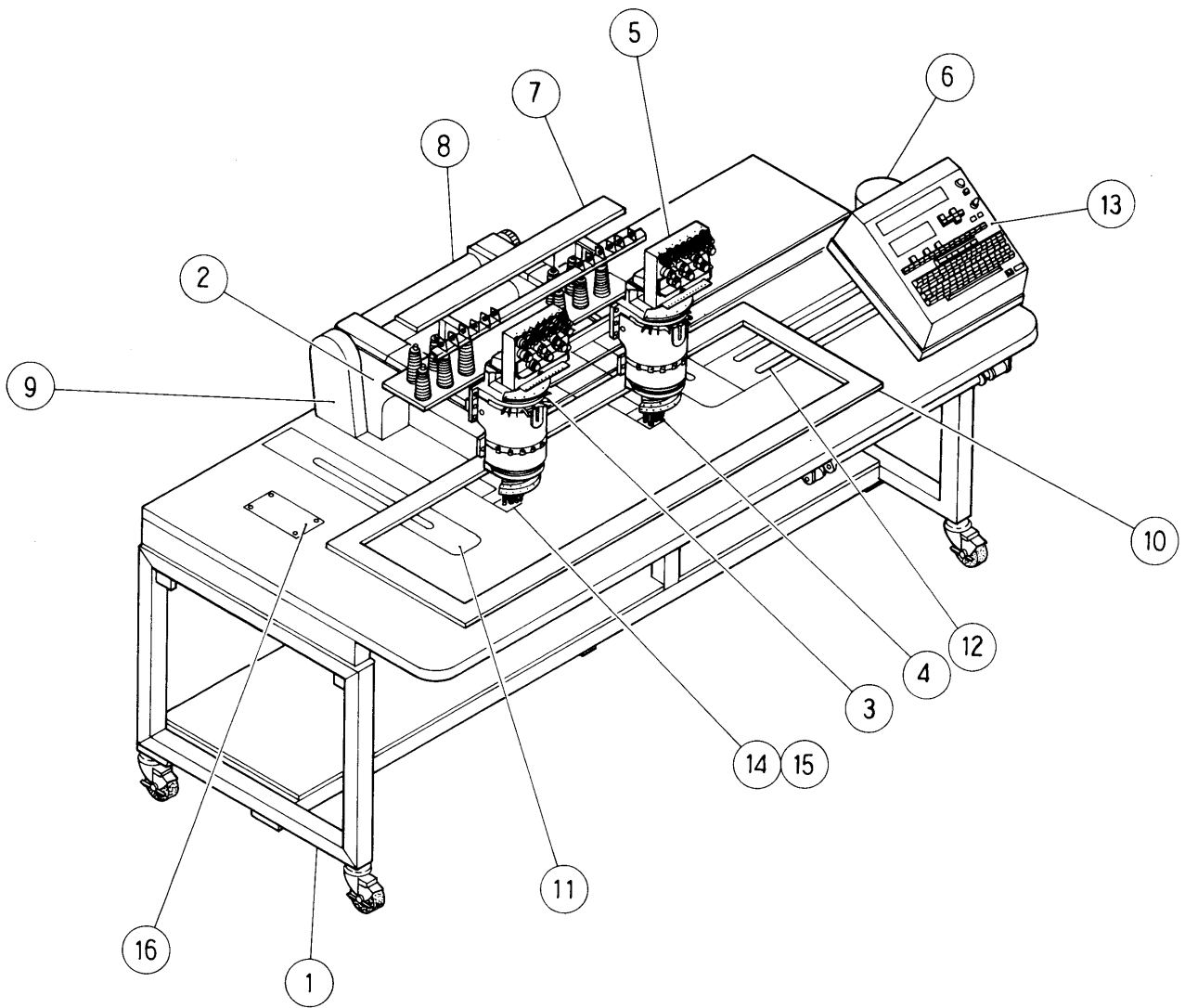
BEAT-802 • M802-YS

PARTS LIST

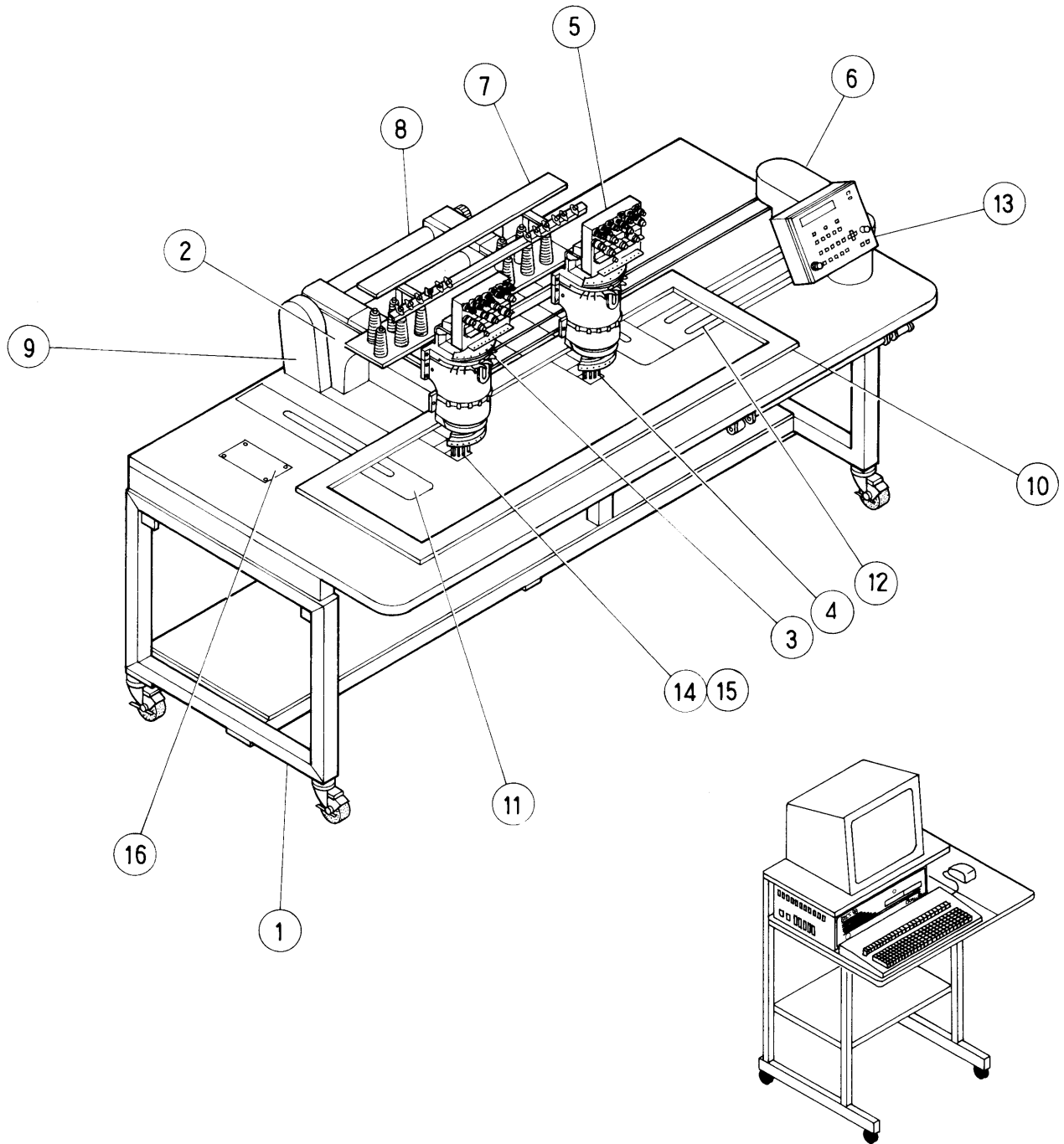
Contents

ITEM No.		
	Machine layout	1
①	Frame • Table a'ssy	3
②	Sewing head a'ssy	5
③	Take up lever mechanism	7
④	Needle bar • Jump mechanism	9
⑤	Thread guide mechanism	11
⑥	Color change mechanism	13
⑦	Option	15
⑧	Connecting shaft	17
⑨	Drive mechanism	19
⑩	Pantograph drive mechanism I	21
⑪	Pantograph drive mechanism (H-Direction)II	23
⑫	Pantograph drive mechanism (V-Direction)III	25
⑬	Control system (BEAT-802) I	27
⑬	Control system (BEAT-M802) II	29
⑭	Thread cutting mechanism I	31
⑮	Thread cutting mechanism II	33
⑯	Thread cutting drive mechanismIII	35
	INDEX	37

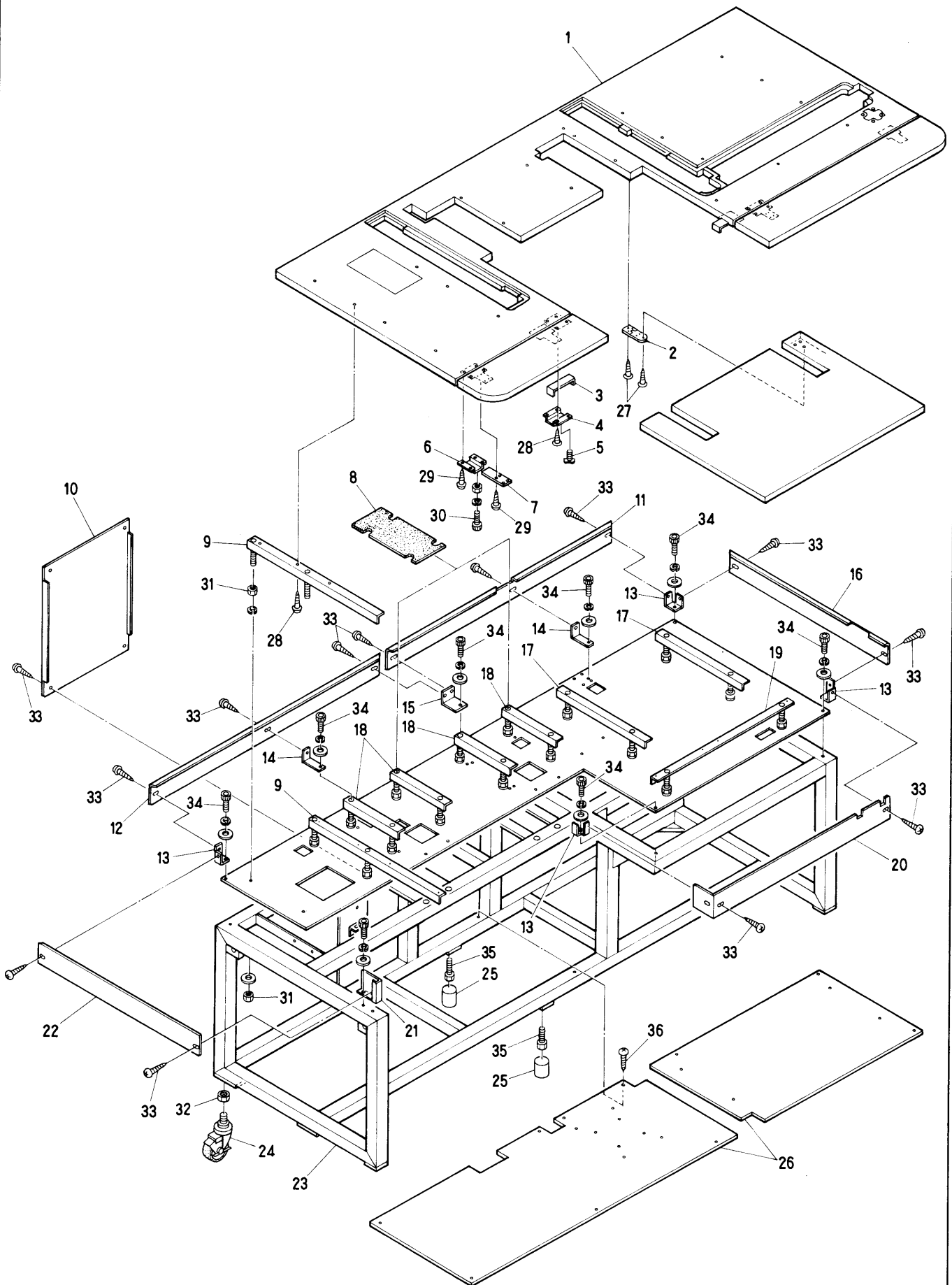
Please specify, in the following manner, your machine model, manufacturing number and embroidery space when you order us with the parts having ※ at the end of the part No. :



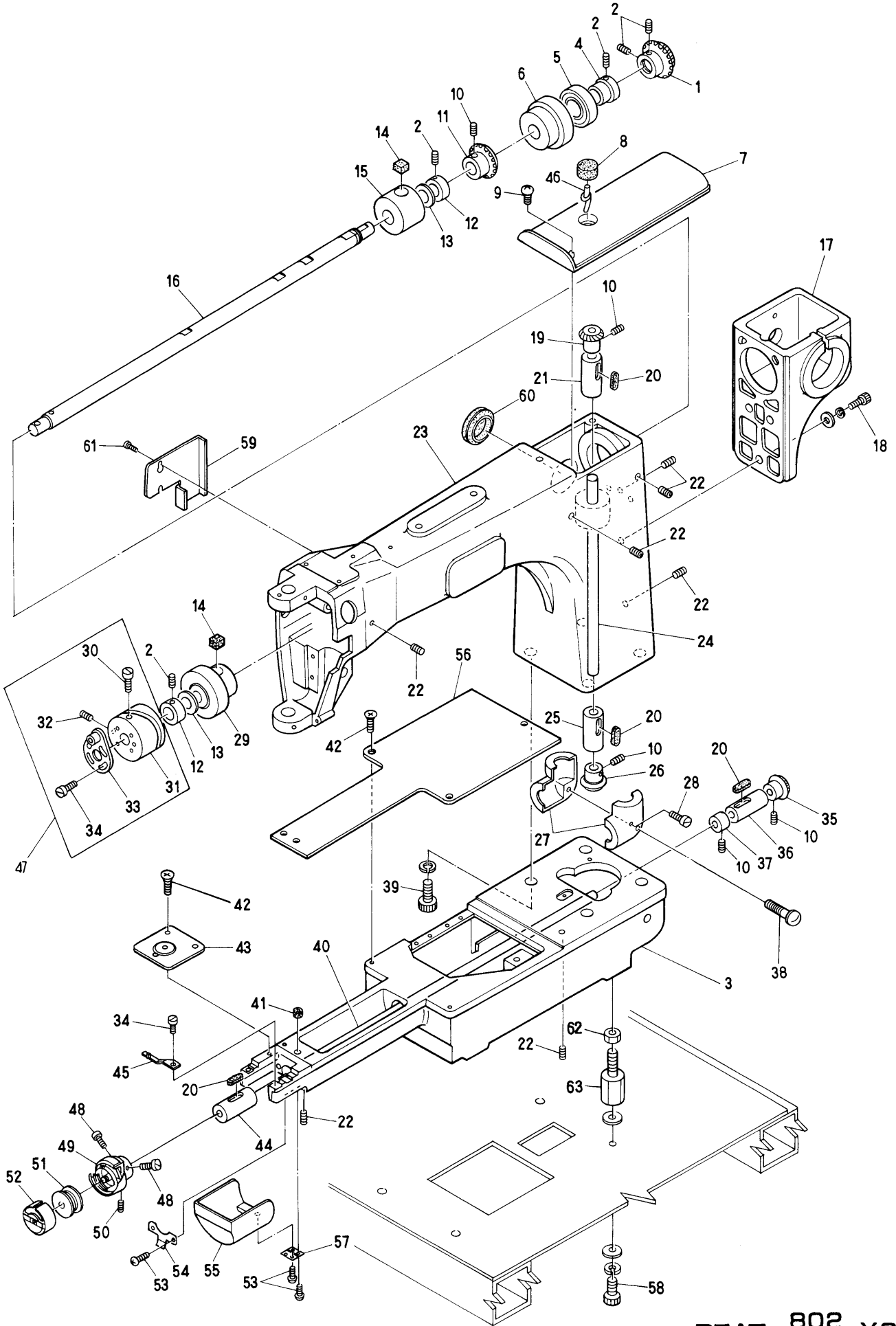
From the library of: Diamond Needle Corp



From the library of: Diamond Needle Corp



From the library of: Diamond Needle Corp



From the library of: Diamond Needle Corp

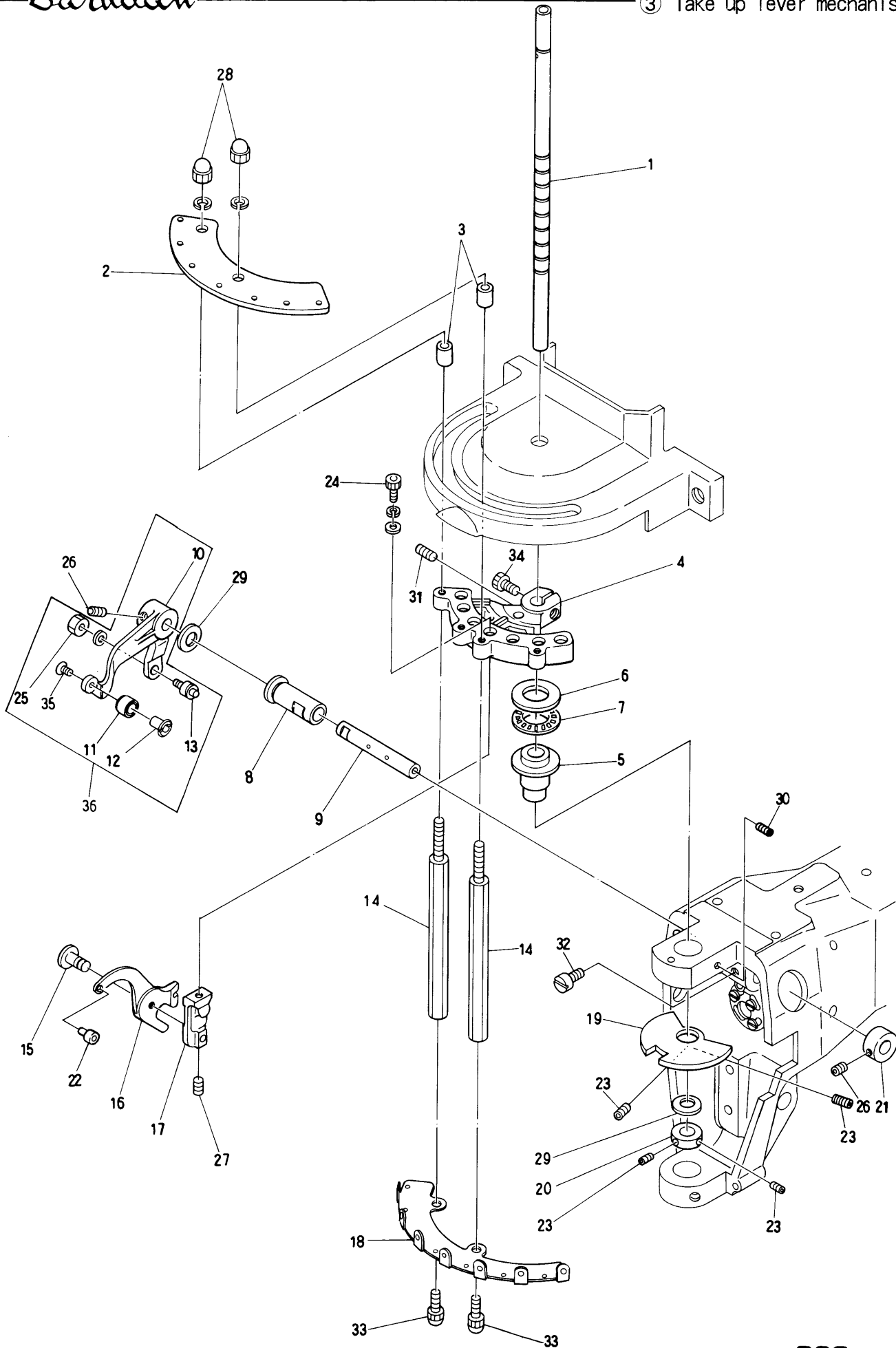
② Sewing head a' ssy

ITEM	LIST No.	DESCRIPTION	QTY	REMARK
1	KL 2 2 0 1 0 0	Top shaft gear (M1.5-25R)	2	
2		Hex. socket set screw M6×6 (with adhesive)	2	
3	KL 2 1 0 1 1 3	Bed (SRE-T)		
4	KL 2 2 0 0 9 0	Top shaft bearing collar	2	
5	A 9 0 1 0 0 1 7	Bearing (6004ZZ)	2	
6	KL 2 2 0 0 4 0	Top shaft bearing case	2	
7	KL 2 5 0 0 4 0	Arm top cover	2	
8	KL 2 2 0 1 5 0	Oil felt D	2	
9		Truss screw M4×10		
10		Screw (SM1/4 40×4)		
11	KF 2 2 0 1 3 0	Bevel gear (Top shaft)	2	
12	KL 2 2 0 0 8 0	Top shaft collar	4	
13	HP 2 3 1 3 9 0	Thrust washer (Top shaft gear)	4	
14	KL 2 2 0 1 3 0	Oil felt B	4	
15	KL 2 2 0 0 3 0	Top shaft metal (Middle)	2	
16	KL 2 2 0 0 0 0	Top shaft	2	
17	KL 2 1 0 1 4 0	Arm gear case	2	
18		Hex. socket bolt M6×25		
19	KF 2 2 0 4 6 0	Bevel gear (Vertical shaft upper)	2	
20	KL 2 2 0 1 4 0	Oil felt C	8	
21	KL 2 2 0 0 5 0	Vertical shaft metal (upper)	2	
22		Hex. socket set screw M6×8		
23	KB 2 1 0 1 6 0	Arm	1	
24	KL 2 2 0 0 1 0	Vertical shaft		
25	KL 2 2 0 0 6 0	Vertical shaft metal (F)	1	
26	KF 2 2 0 4 7 0	Bevel gear (Vertical shaft lower)	1	
27	KF 2 2 0 2 7 0	Gear cover set	1	
28	MA 2 1 0 2 1 0	Bed Adjuster bolt	1	
29	KL 2 2 0 0 2 0	Top shaft metal (Front)	1	
30	KF 2 3 0 4 2 0	Cam set screw	1	
31	KB 2 3 0 0 3 0	Take up lever cam K6	1	
32		Screw (SM15/64 28×10) with adhesive	1	
33	KB 2 3 0 0 5 0	90° Clamping	1	
34	A 9 0 1 2 0 0 7	Screw	6	
35	KF 2 2 0 4 8 0	Bevel gear (Bottom shaft)	1	
36	KL 2 2 0 0 7 0	Bottom shaft metal (Rear)	1	
37	KF 2 2 0 2 9 0	Bottom shaft collar	1	
38		Screw M5×25		
39		Hex. socket bolt M12×35		
40	KC 2 2 0 2 1 0	Bottom shaft	1	
41	KL 2 2 0 1 2 0	Oil felt A	1	
42	KF 2 5 0 9 0 0	Needle plate set screw (SM11/64 40×7)	6	
43	MA 2 5 0 1 3 1	Needle plate	1	
44	KF 2 2 0 2 3 0	Bottom shaft metal (Front)	1	
45	KC 2 2 0 6 4 0	Rotating hook bobbin case holder position bracket	1	

From the library of: Diamond Needle Corp

Barudan

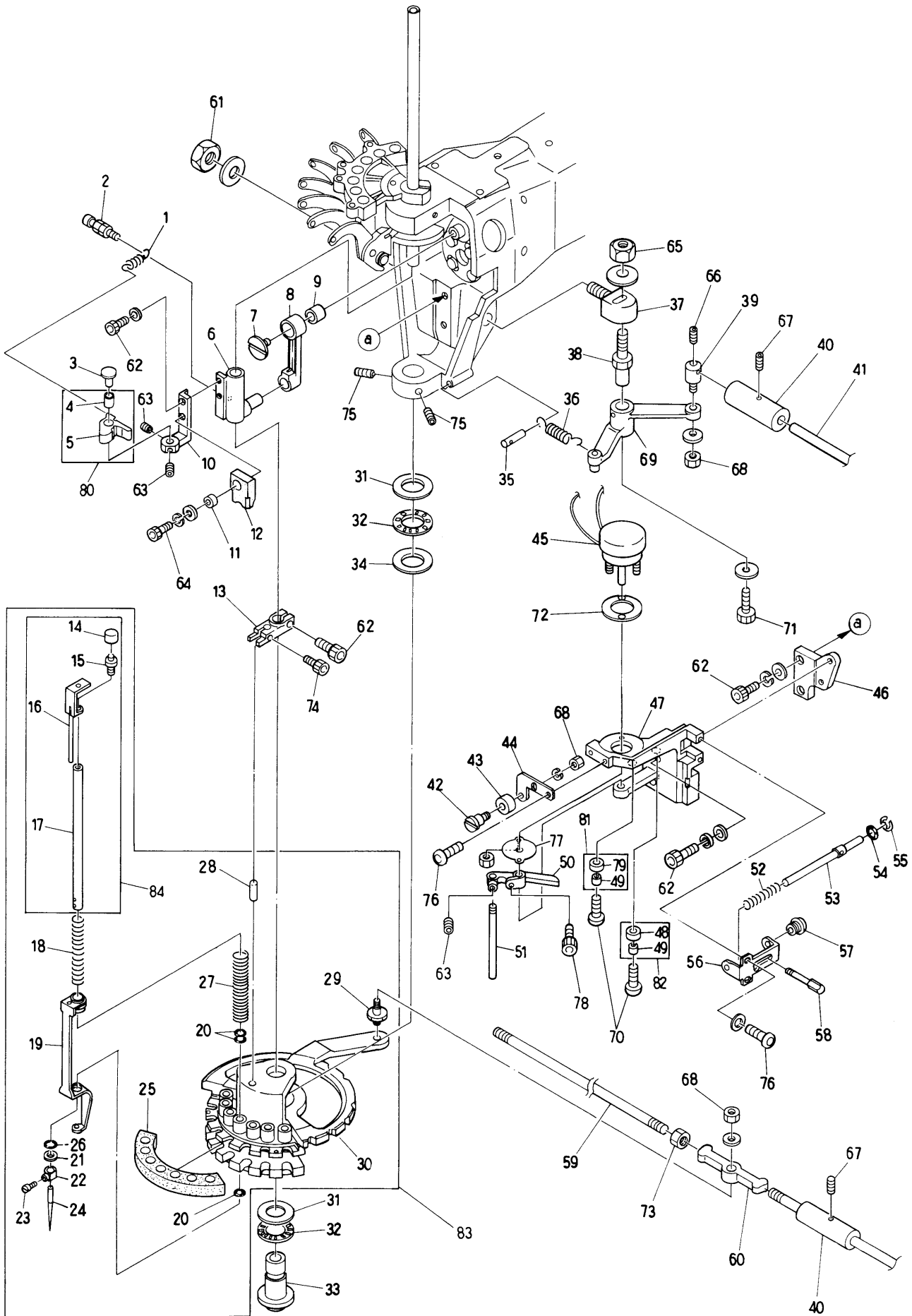
③ Take up lever mechanism



MODEL BEAT 802 -YS
M802

Barudan

④ Needle bar • Jump mechanism



From the library of: Diamond Needle Corp

MODEL BEAT 802 -YS
M802

④ Needle bar - Jamp mechanism

(N=needle Q'

ITEM	LIST No.	DESCRIPTION	Q'TY	REMARK
1	HB 2 3 0 4 0 1	Needle bar driver return spring	1	
2	HB 2 3 0 5 9 0	Fixed screw for return spring	1	
3	HB 2 3 0 3 9 0	Needle bar driver fixing pin	1	
4	A 9 0 1 2 1 9 0	DU Bush (MB0606DU)	1	
5	HB 2 3 0 3 8 1	Needle bar driver	1	
6	KB 2 3 0 0 8 0	Needle bar driver guide block	1	
7	KB 2 3 0 0 7 0	90° Crank left-handed screw	1	
8	KB 2 3 0 0 6 0	Crank rod	1	
9	A 9 0 1 1 1 1 5	Needle bearign (K9×12×10T2)	1	
10	HB 2 3 0 3 7 1	Needle bar driver fixing base	1	
11	HB 2 3 0 4 2 0	Needle bar driver stopper set collar	1	
12	HB 2 3 0 4 1 4	Needle bar driver stopper	1	
13	HB 2 3 0 1 7 0	Driving shaft fixed plate	1	
14	KN 2 3 1 3 5 0	Needle bar cap	N×1	
15	HB 2 3 0 5 3 1	Needle bar guide fitting screw	N×1	
16	HB 2 3 0 5 2 1	Needle bar guide	N×1	
17	HB 2 3 0 5 1 1	Needle bar	N×1	
18	HB 2 3 0 5 4 0	Needle bar sprign (upper)	N×1	
19	KG 2 3 0 0 2 0	Pressure foot	N×1	
20	KF 2 3 0 9 1 0	O-Ring (S)	N×3	
21	KF 2 3 0 9 3 0	Spacer	N×1	
22	KF 2 3 0 2 3 0	Needle clamp	N×1	
23	KF 2 3 0 2 4 0	Needle clamp screw (SM9/64 40)	N×1	
24	KF 2 3 0 2 5 0	Needle (DBK5-11)	N×1	
25	KL 2 3 0 1 1 0	Turret plate oil pad	1	
26	KF 2 3 0 9 2 0	O-Ring (L)	N×1	
27	KF 2 3 0 2 1 0	Pressure foot spring	N×1	
28	A 9 0 1 2 2 9 1	Parallel pin ϕ 5×14ℓ	1	
29	HB 2 3 0 5 5 0	Turret plate joint pin	1	
30	HB 2 3 0 4 4 1	Turret plate (5)	1	
	HB 2 3 0 4 3 1	Turret plate (7)	1	
31	A 9 0 1 1 0 2 3	Thrust bearing outer (GS1528)	2	
32	A 9 0 1 1 0 2 1	Thrust bearing (NTB-1528)	2	
33	HB 2 3 0 1 4 0	Driver shaft under metal	1	
34	A 9 0 1 1 0 2 2	Thrust washer (AS-1528)	1	
35	KF 2 3 0 6 7 0	Lock lever spring pin	1	
36	KF 2 3 0 6 6 1	Lock lever spring	1	
37	KF 2 3 0 6 5 0	Lock lever bracket	1	
38	KF 2 3 0 6 3 0	Lock lever shaft	1	
39	KF 2 3 0 6 4 0	Lock connecting bar clamp	1	
40	KF 3 3 0 3 8 1	Lock bar hand grip	2	
41	KC 3 3 0 4 1 0	Lock connecting rod (2M)	3	
42	HB 2 3 0 4 6 0	Needle bar stopper fixed pin	1	
43	HB 2 3 0 4 7 0	Needle bar stopper	1	
44	KB 2 3 0 1 7 0	Needle bar stopper fixed bracket	1	

From the library of: Diamond Needle Corp

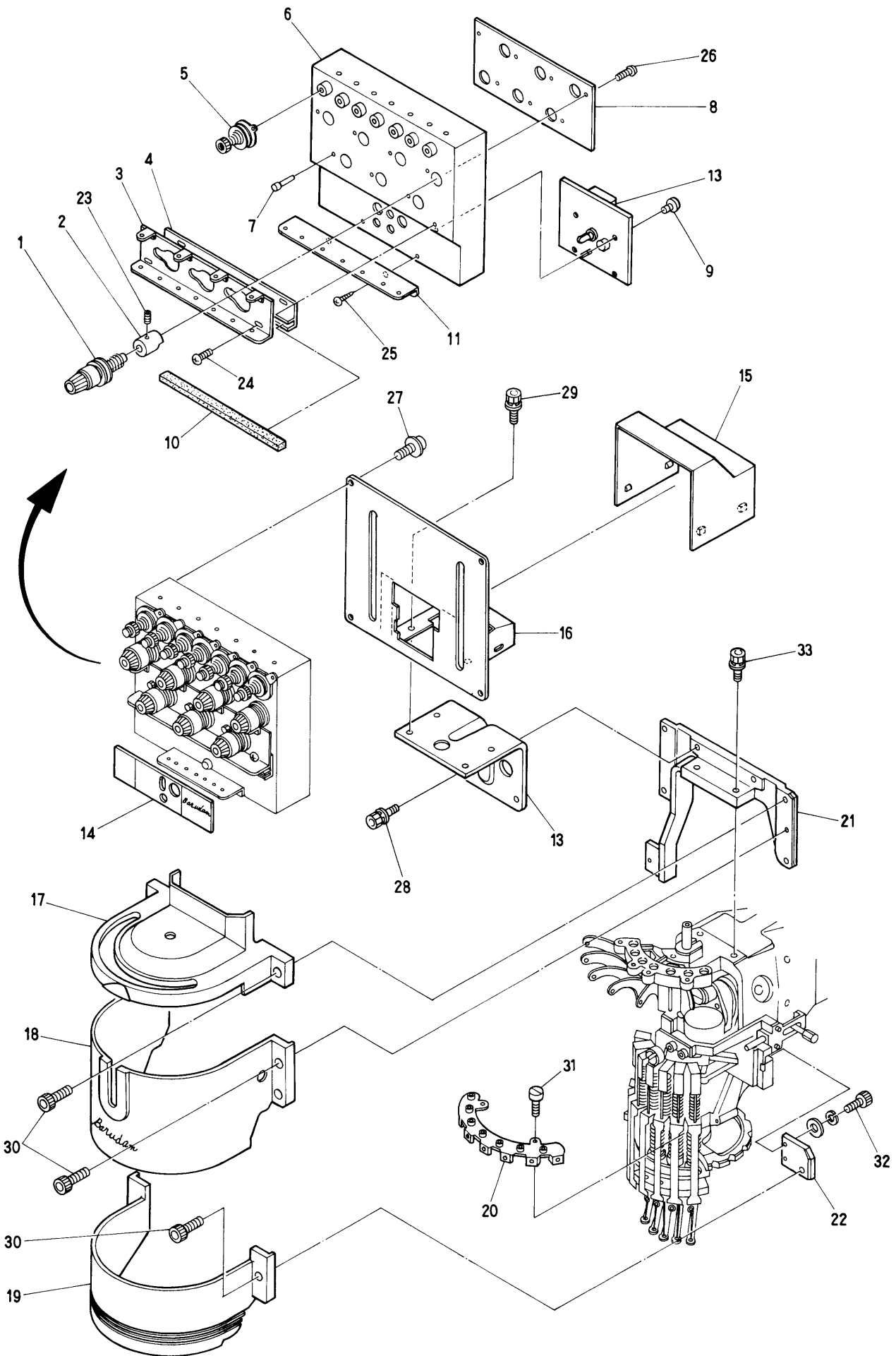
④ Needle bar ▪Jamp mechanism (※ change the LIST No. by machine type)

ITEM	LIST No.	DESCRIPTION	Q'TY	REMARK
45	A9056020	Rotary solenoid (3ER35-3×8×9)	1	
46	KB210170	Soelnoind bracket fixing base	1	
47	KB240030	Jump soelnoind fixing bracket	1	
48	HB240050	Eccentric collar (φ11)	1	
49	HB240040	Eccentric stopper	2	
50	HB240020	Jump soelnoind lever	1	
51	HB240030	Jump soelnoind lever pin	1	
52	HB240110	Cancel return spring	1	
53	HB240070	Cancel rod	1	
54	A9014051	O-Ring P-5	1	
55	A9012051	E-Ring φ6	1	
56	KB240040	Cancel bracket	1	
57	HB240090	Cancel rod guide	1	
58	HB240080	Manual cancel pin	1	
59	KC330310380	Turret plate connecting rod (L=330)	1	※
60	A9012005	Uniball joint (NMBRD4-020N)	1	first head
	A9012003	Uniball joint (NMBRD4-020N)	1	final gead
61		Hex, nut M10		
62		Hex, socket bolt M4×12		
63		Hex, socket set screw M4×4 (with adhesive)	3	
64		Hex, socket bolt M4×15		
65		Hex, nut M8		
66		Hex, socket set screw M4×6		
67		Hex, socket set screw M5×5		
68		Hex, nut M4		
69	KL230280	Lock lever	1	
70		Hex, socket button bolt M4×12 (with adhesive)	2	
71		Hex, socket bolt M5×10		
72	HB230560	Sheet for rotary solenoid	1	
73		Hex, nut M5		
74		Hex, socket bolt M3×12 (with adhesive)	1	
75	A9012053	Hex, socket set screw M6×0.75×8	2	
76		Hex, socket button bolt M4×10		
77	HB230580	Solenoid prevention noise cover	1	
78		Hex, socket bolt M4×8		
79	HB240310	Eccentric collar (φ12)	1	
80	HB230700	Needle bar driver lever a'ssy	1	
81	HB240340	Eccentric stopper a'ssy (φ12)	1	
82	HB240330	Eccentric stopper a'ssy (φ11)	1	
83	HB230600	Turret plate a'ssy (YS)	1	
	HB230610	Turret plate a'ssy (YF)	1	
84	HB230570	Needle bar driver a'ssy	1	

From the library of: Diamond Needle Corp

Barudan

⑤ Thread guide mechanism



From the library of: Diamond Needle Corp

MODEL BEAT 802 -YS
M802

⑤ Thread guide mechanism

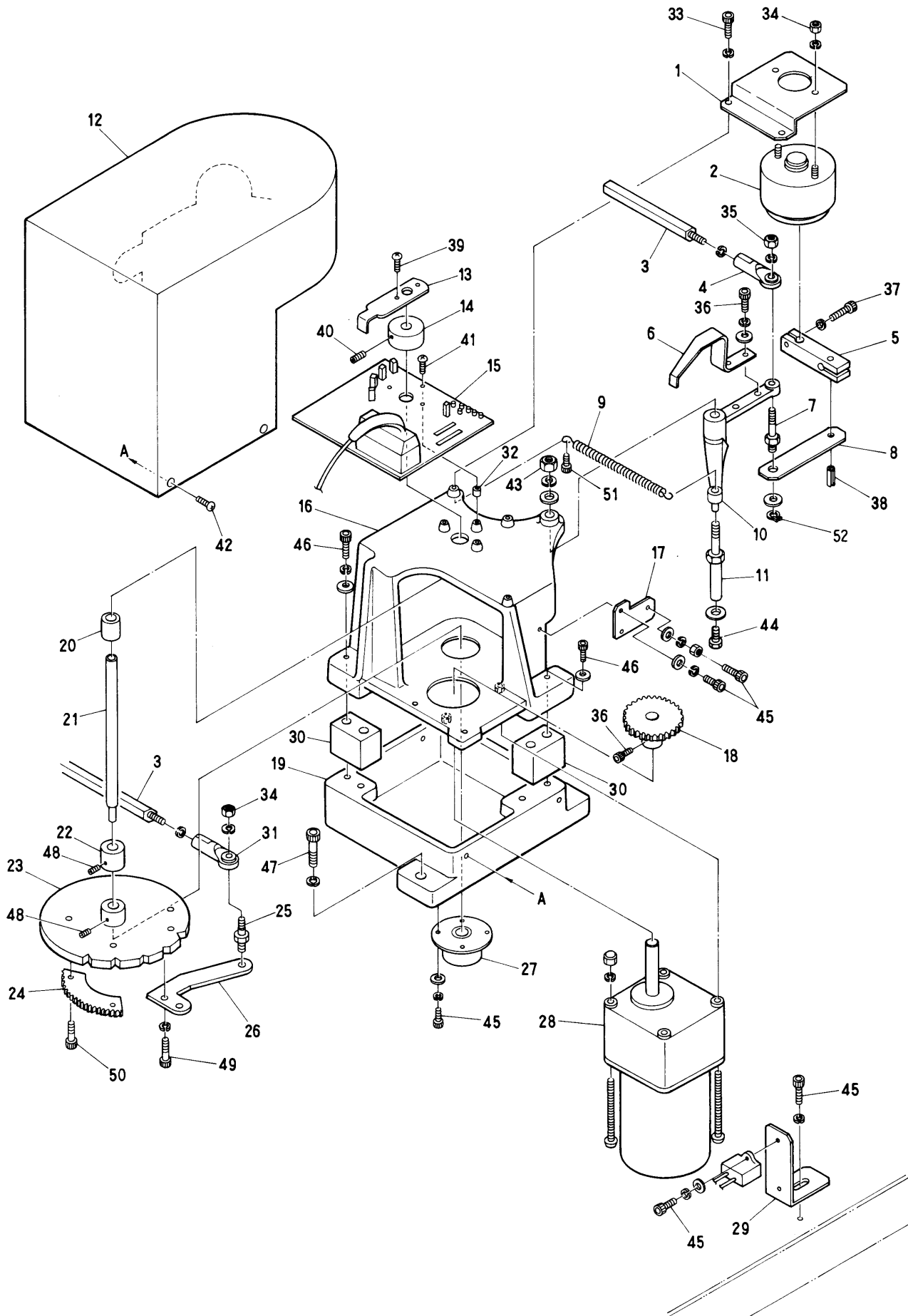
(N=Needle Q'ty)

ITEM	LIST No.	DESCRIPTION	Q'TY	REMARK
1	HP 2 4 1 4 1 0	Dial type tension unit complete	N×1	
2	HP 2 4 1 1 5 0	Tension base (with screw)	N×1	
3	HP 2 4 1 1 8 0	First thread guide (7)	1	
	HP 2 4 1 1 7 0	First thread guide (5)	1	
4	HP 2 4 1 4 6 0	Thread guide felt fixing plate (7)	1	
	HP 2 4 1 4 5 0	Thread guide felt fixing plate (5)	1	
5	KG 2 4 1 0 2 0	Upper tension unit complete	N×1	
6	HP 2 4 1 1 2 2	Tension base (7)	1	HP241160 HP241150
	HP 2 4 1 1 1 2	Tension base (5)	1	HP241160 HP241150
7	HP 2 4 1 1 6 0	Upper thread detection pin	N×1	
8	HP 2 4 1 3 8 1	Tension earth plate (7)	1	
	HP 2 4 1 3 7 1	Tension earth plate (5)	1	
9		Pan screw 2×8		
10	HP 2 4 1 4 8 0	Thread guide felt (7)	1	
	HP 2 4 1 4 7 0	Thread guide felt (5)	1	
11	HB 2 4 0 2 6 0	Second thread guide plate (7)	1	
	HB 2 4 0 2 7 0	Second thread guide plate (5)	1	
12	EBN 0 1 1 0 0	Head board for thread cutting (108800004)	1	There is thread cut
	EBN 0 0 6 5 0	Thread cut sensorium board (70204200)	1	There is no thread cut
13	KB 2 4 0 0 5 1	Tension base bracket	1	
14	KU 2 4 1 4 0 0	Tension base label	1	There is thread cut
	HP 2 4 1 4 0 0	Tension base label	1	There is no thread cut
15	KB 2 4 0 1 0 0	Tension cable cover	1	
16	KB 2 4 0 0 6 0	Tension base (7)	1	
	KB 2 4 0 0 7 0	Tension base (5)	1	
17	KB 2 5 0 0 2 0	Sewing head cover A	1	
18	KB 2 5 0 0 3 0	Sewing head cover B	1	
19	KB 2 5 0 0 4 0	Sewing head cover C	1	
20	KG 2 5 0 0 1 0	Thread end trap unit a'ssy (7)	1	
	HP 2 5 0 0 5 0	Thread end trap unit a'ssy (5)	1	
21	KB 2 5 0 0 5 0	Sewing head fixing bracket	1	
22	KB 2 5 0 0 6 0	Sewing head fixing stay	1	
23		Set screw (SM11/64 40×5.5)		
24		Truss screw M4×6		
25		Tapping screw M3.5×8		
26		Pan screw M3×4		
27		Pan screw with washer M4×8		
28		Hex.socket bolt with washer M5×15 (with adhesive)	2	
29		Hex.socket bolt with washer M5×10 (with adhesive)	4	
30		Hex.socket bolt M4×6		
31		Screw (SM9/64 40×10)		
32		Hex.socket bolt M4×15		
33		Hex.socket bolt with washer M5×20 (with adhesive)	2	

From the library of: Diamond Needle Corp

Barudan

⑥ Color change mechanism



From the library of: Diamond Needle Corp

MODEL BEAT 802-Y S
M802

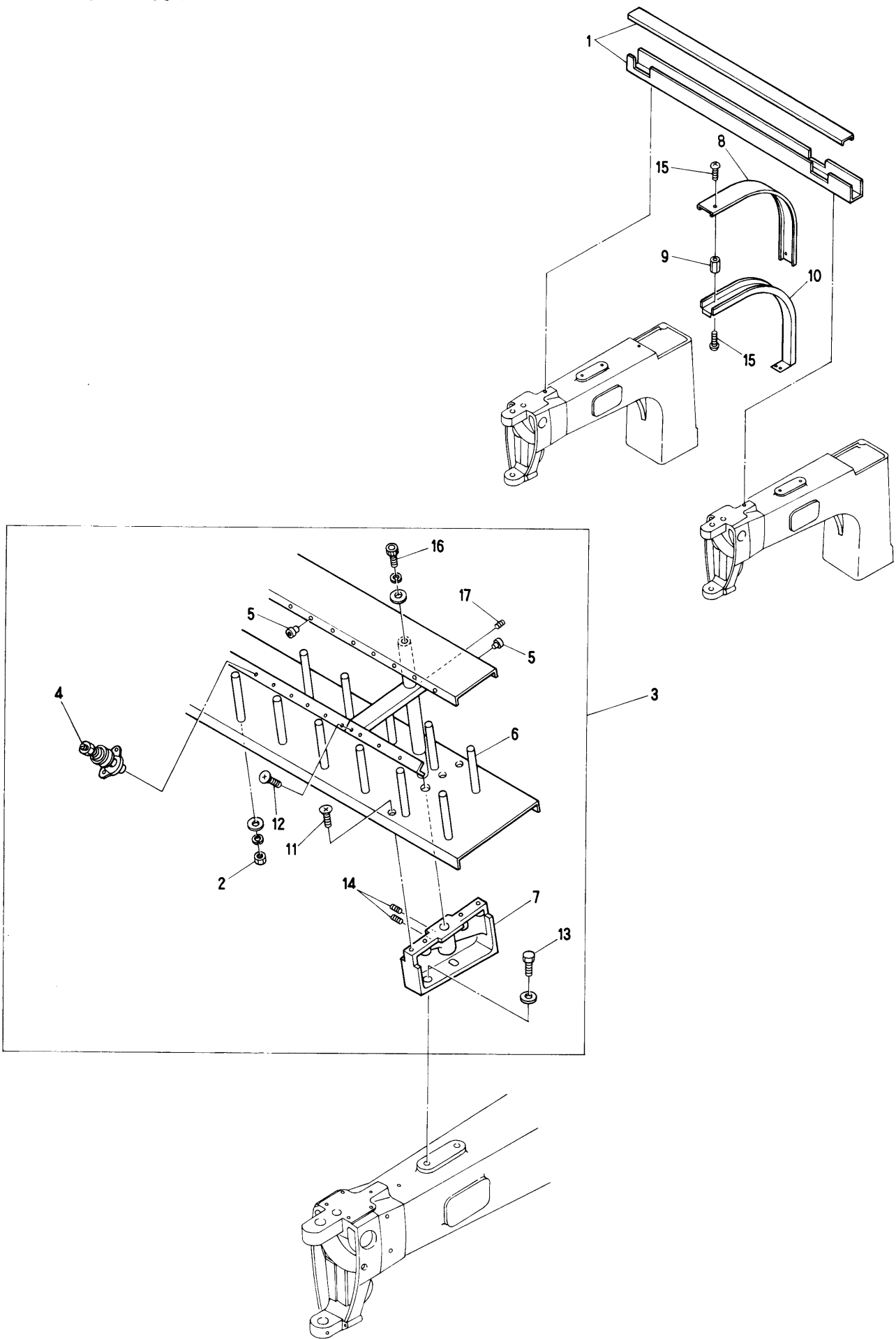
⑥ Color change mechanism

ITEM	LIST No.	DESCRIPTION	Q'TY	REMARK
1	KC 3 3 0 2 6 0	Bracket lock rotary solenoid	1	
2	KC 3 3 0 8 5 0	Rotary solenoid (6SR-25 27×4×9 L=15)	1	
3	KC 3 3 0 5 1 0	Hex. connecting bar (L)	1	
4	A 9 0 1 2 0 0 2	Uni ball joint (PR-6)	1	
5	KN 3 3 0 2 4 0	Lock solenoid lever	1	
6	KC 3 3 0 2 9 0	Lock detection plate	1	
7	KC 3 3 0 2 3 0	Lock lever pin	1	
8	KN 3 3 0 2 5 0	Lock lever link	1	
9	MT 3 3 0 6 9 0	Spring	1	
10	KG 2 3 0 6 1 0	Lock lever	1	
11	KF 2 3 0 6 3 0	Lock lever shaft	1	
12	MT 3 3 0 8 0 1	Box cover	1	
13	HH 3 3 0 2 8 1	Detection plate	1	
14	KC 3 3 0 1 7 0	Plate collar	1	
15	EBN 0 0 6 6 0	SDU Collar change bord (7020-4100)	1	
16	KC 3 3 0 1 3 0	Needle turning unit base	1	
17	KE 3 3 0 9 8 0	Lock lever stopper	1	
18	KC 3 3 0 2 1 0	Needle turning gear No.1 (0.8M50T)	1	
19	MA 3 3 0 7 0 0	Box base	1	
20	KC 3 3 0 1 9 0	Oilless metal	1	
21	KC 3 3 0 1 6 1	Needle turning shaft	1	
22	KC 3 3 0 1 8 0	Collar φ10	1	
23	KG 3 3 0 1 5 0	US Control turning plate	1	
24	KG 3 3 0 2 2 0	Needle turning gear No.2	1	
25	KF 2 3 0 3 6 0	Turret plate joint pin	1	
26	KL 3 3 0 0 4 0	Turret plate lever	1	
27	KC 3 3 0 6 1 0	Oilless bearing (OCHIAI) S/S LSB-G8-080V	1	
28	KC 3 3 0 8 1 0	Geard motor (RM-F6A5PC3-AS-120)	1	
29	MT 3 3 0 7 9 0	Color change motor condencer bracket	1	
30	KL 3 3 0 0 5 0	Unit base spacer	2	
31	A 9 0 1 2 0 0 1	Uni ball joint (NMB RD4 020R)	1	
32	A 9 0 1 2 2 0 8	Spacer (5×4)	3	
33		Hex. socket bolt M5×12		
		Hex. socket bolt M5×15		
34		Hex. nut M5		
35		Hex. nut M6		
36		Hex. socket bolt M4×8		
37		Hex. socket bolt M5×12		
38		Spring pin 6×12		
39		Truss screw M3×6		
40		Hex. socket set screw M5×10		
41		Truss screw M3×10		
42		Truss screw (Black) M5×10		
43		Hex. nut M8		
44		Hex. bolt M5×15		

From the library of: Diamond Needle Corp

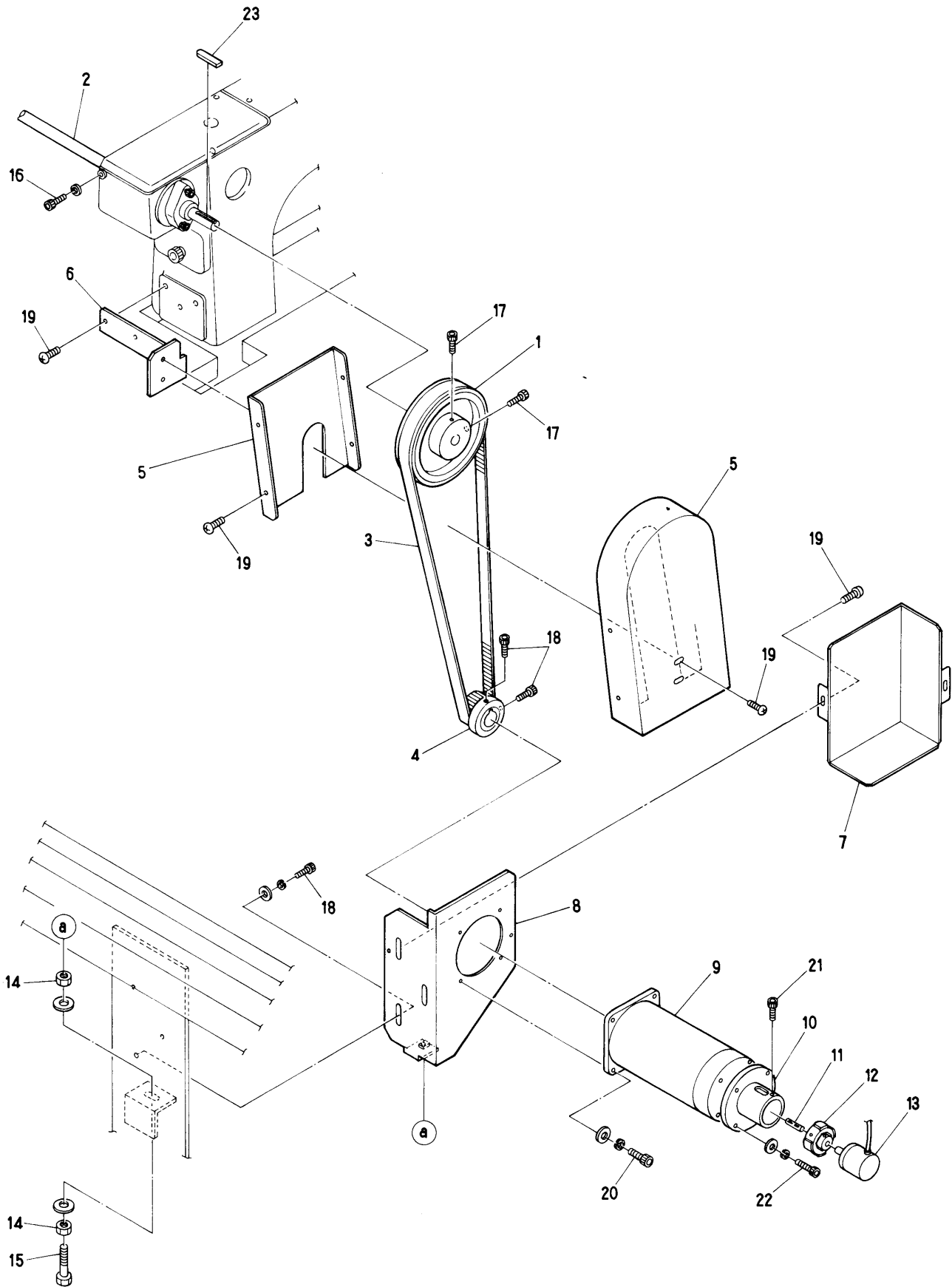
Barudan

⑦ Option

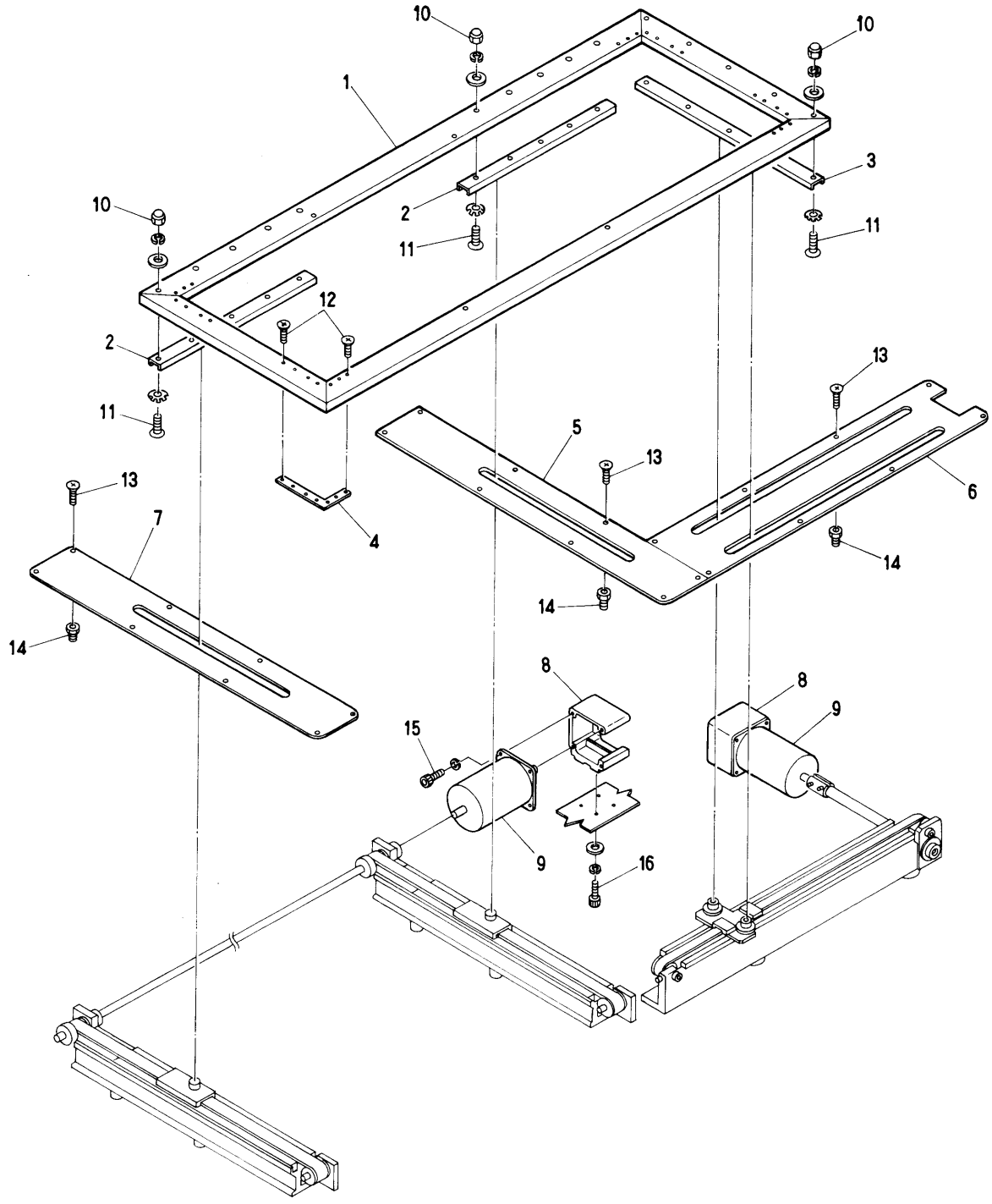


From the library of: Diamond Needle Corp

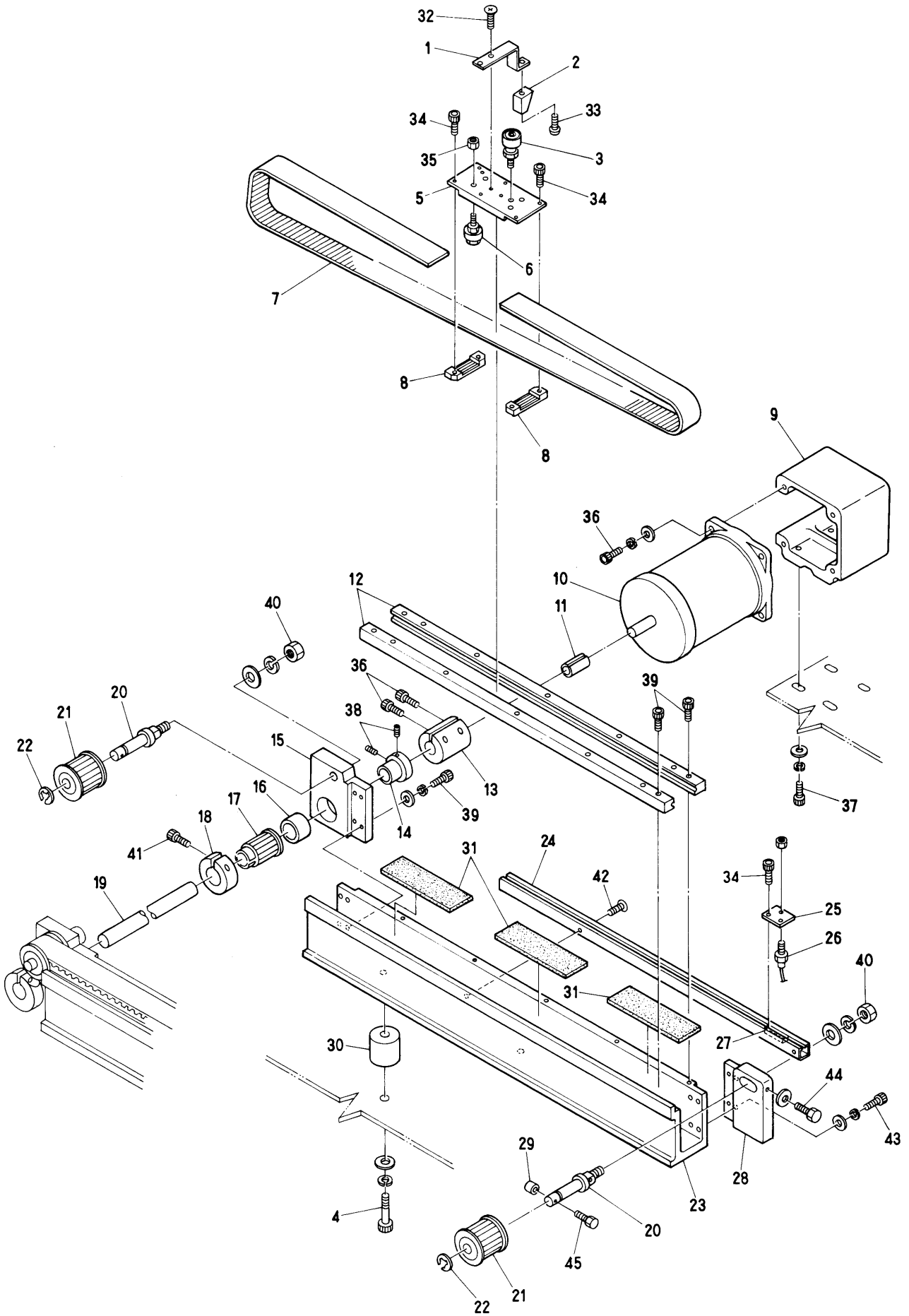
MODEL BEAT 802 -YS
M802



From the library of: Diamond Needle Corp



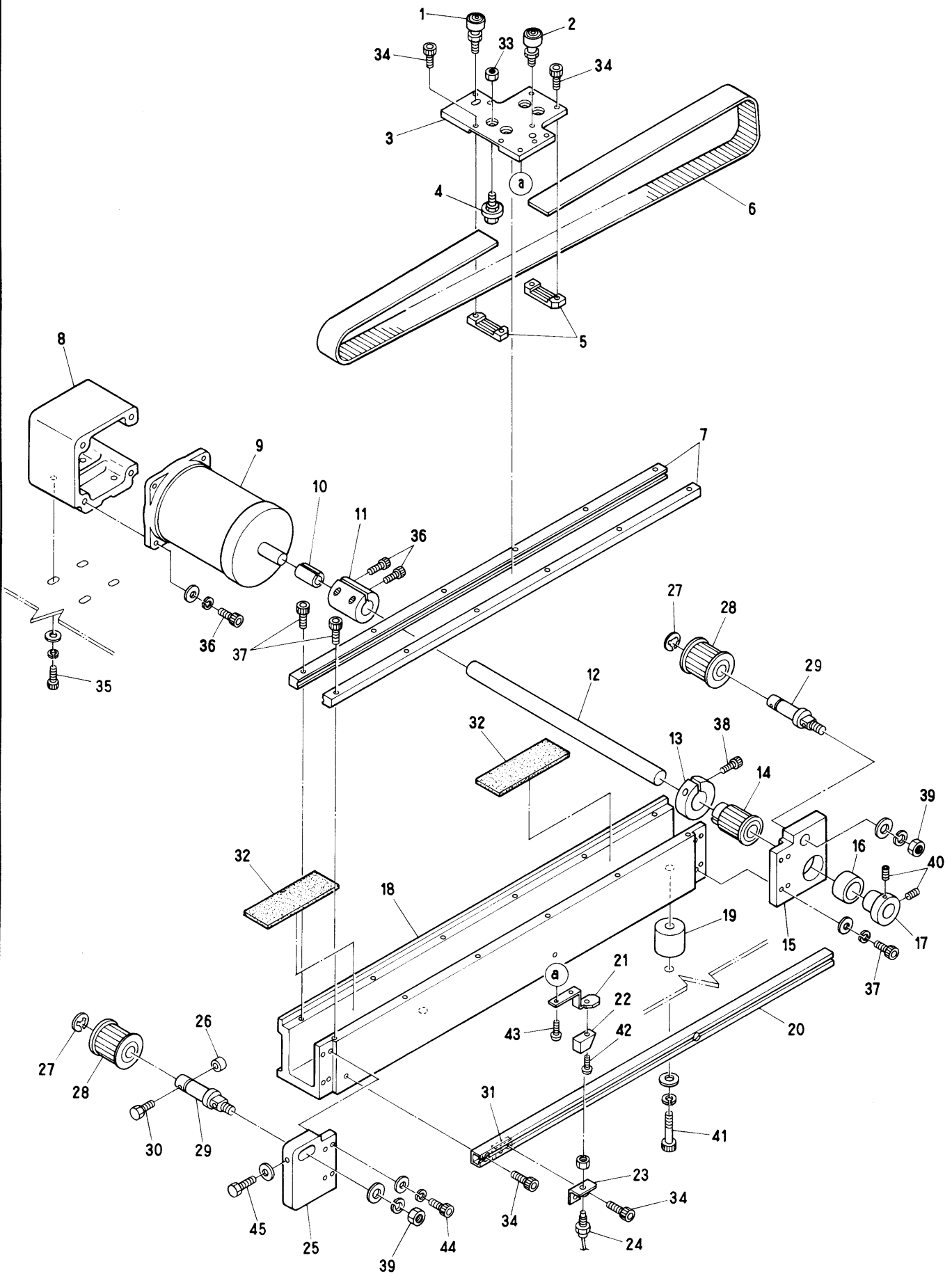
From the library of: Diamond Needle Corp



From the library of: Diamond Needle Corp

⑪ Pantograph drive mechanism (H-Direction) II

ITEM	LIST No.	DESCRIPTION	Q'TY	REMARK
1	MT 4 6 0 2 5 2	H-Pantograph origin point magnet bracket	1	
2	A 9 0 5 2 0 2 6	Magnet M-102	1	
3	HP 4 8 3 3 7 0	Bearing shaft a'ssy	2	
4		Hex, socket bolt M8×45		
5	MT 4 8 2 8 7 1	H-Roller base (AT-802)	2	
6	HP 4 8 2 9 5 0	Roller pin a'ssy A	8	
7	A 9 0 2 0 0 9 8	Timing belt 300S5M2000	2	
8	HP 4 8 2 9 4 0	Timing belt rack (5M)	4	
9	MA 4 8 2 1 4 0	Pulse moter bracket V	1	
10	MT 4 7 0 1 1 0	Pulse moter (103-845-111)	1	
11	MT 4 8 3 3 6 0	Pulse moter coupling bush	1	
12	HP 4 8 2 9 1 0	V-Guide rail (L=1060)	4	
13	HH 4 8 1 9 3 1	Pulse moter coupling	1	
14	HH 4 8 1 9 7 0	Pulse moter connecting shaft collar	1	
15	WM 4 8 3 2 1 0	H,V-Guide rear pulley bracket	2	
16	A 9 0 1 1 0 6 3	Needle bearing TLA2016	2	
17	HP 4 8 2 9 9 0	Pantograph driving pulley (Rear) S5M	2	
18	HH 4 8 1 9 8 0	Clamp collar φ19	2	
19		Connecting shaft (φ15)	1	
20	HH 4 8 1 9 9 1	Timing pulley shaft	4	
21	HP 4 8 2 9 8 0	Pantograph driving pulley (Front) S5M	4	
22	A 9 0 1 2 0 5 2	E-Ring φ10	4	
23	MT 4 8 3 1 4 1	H-Guide rail base	2	
24	MT 4 6 0 2 8 1	H-Pantograph origin point rail	1	
25	MT 4 6 0 2 3 0	RS-001 Bracket (H)	1	
26	A 9 0 5 2 0 2 4	Switch RS-001	1	
27	KU 4 6 0 2 7 0	Plate nut (M3)	1	
28	HH 4 8 2 0 0 0	H-Guide front pulley bracket	2	
29	HH 4 8 2 1 1 0	Pulley shaft bolt cap	1	
30	MA 4 8 0 4 9 0	Guide rail base spacer	4	
31	KN 4 8 0 0 6 1	Rail base felt SR100×38×6	6	
32		Flush screw M4×6		
33		Truss screw M3×6		
34		Hex, socket bolt M3×6		
35		Hex, nut M5		
36		Hex, socket bolt M5×18		
37		Hex, socket bolt M6×20		
38		Hex, socket set screw M5×8		
39		Hex, socket bolt M4×15		
40		Hex, nut M8		
41		Hex, socket bolt M5×20		
42		Flush screw M3×6		
43		Hex, socket bolt M4×25		
44		Hex, bolt M4×25		
45		Hex, bolt M4×40		

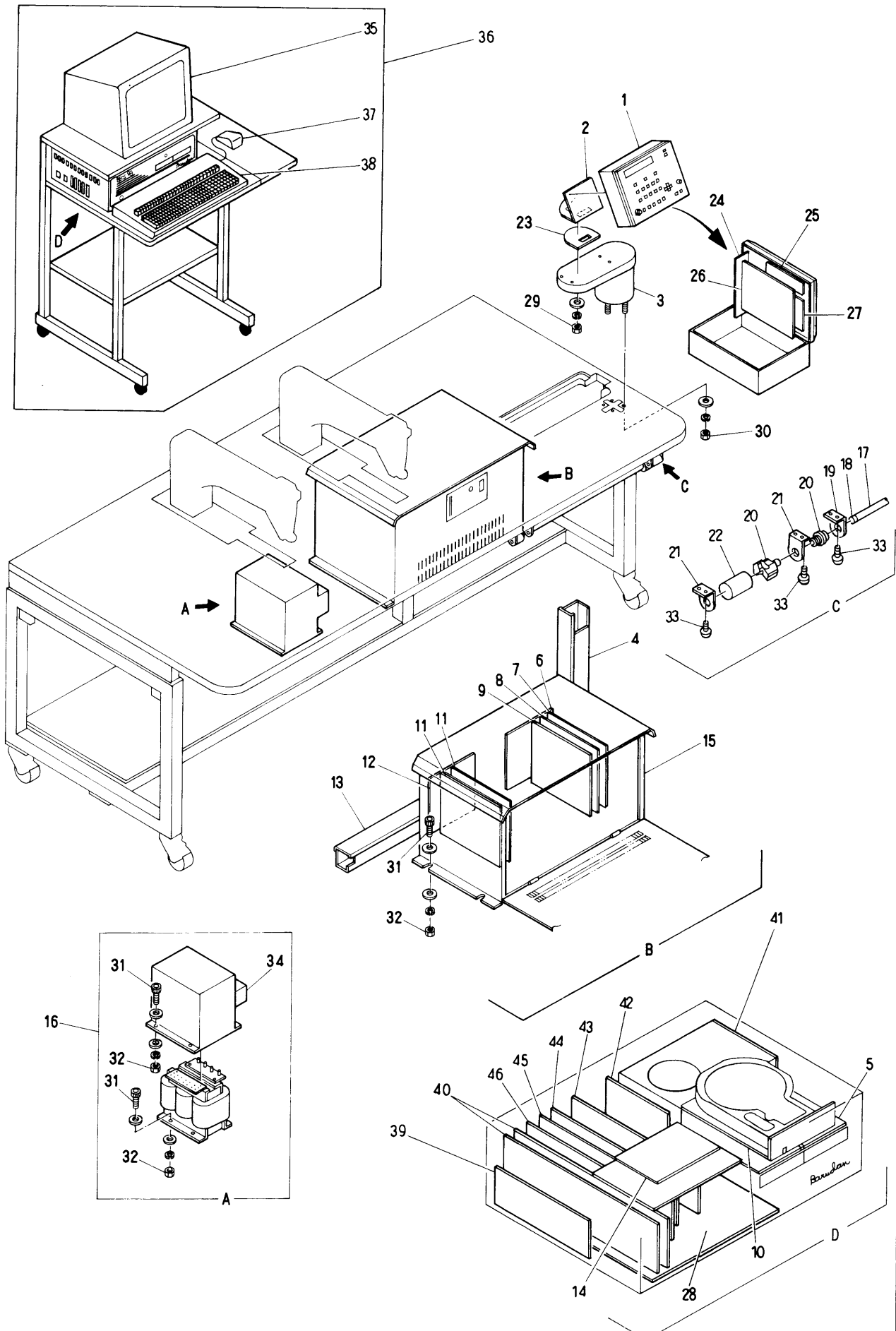


From the library of: Diamond Needle Corp

⑫ Pantograph drive mechanism (V-Direction) III

ITEM	LIST No.	DESCRIPTION	Q'TY	REMARK
1	HP 4 8 3 1 1 1	Bearing pin a'ssy B	1	
2	HP 4 8 3 3 7 0	Bearing pin a'ssy	1	
3	KU 4 8 3 1 8 0	V-Roller base (5M-30)	1	
4	HP 4 8 2 9 5 0	Roller pin a'ssy A	4	
5	HP 4 8 2 9 4 0	Timing belt rack (5M)	2	
6	A 9 0 2 0 0 9 8	Timing belt 300S5M2000	1	
7	HP 4 8 2 9 1 0	V-Guide rail (L=1060)	2	
8	MA 4 8 2 1 4 0	Pulse motor bracket V	1	
9	MT 4 7 0 1 1 0	Pulse motor (103-845-1111)	1	
1 0	MT 4 8 3 3 6 0	Pulse motor coupling bush	1	
1 1	HH 4 8 1 9 3 1	Pulse motor coupling	1	
1 2		Connecting shaft (φ15)	1	
1 3	HH 4 8 1 9 8 0	Clamping collar φ19	1	
1 4	HP 4 8 2 9 9 0	Pantograph driving pulley (Rear) S5M	1	
1 5	WM 4 8 3 2 1 0	H,V-Guide rear pulley bracket	1	
1 6	A 9 0 1 1 0 6 3	Needle bearing TLA2016	1	
1 7	HH 4 8 1 9 7 0	Pulse motor connecting shaft collar	1	
1 8	MT 4 8 3 1 5 1	V-Guide rail base (stroke 450)	1	
1 9	MA 4 8 0 4 9 0	Guide rail base spacer	2	
2 0	MT 4 6 0 2 9 1	V-Pantograph origin point rail	1	
2 1	MT 4 6 0 2 6 2	V-Pantograph origin point magnet bracket	1	
2 2	A 9 0 5 2 0 2 6	Magnet M-102	1	
2 3	MT 4 6 0 2 4 0	RS-001 Bracket (V)	1	
2 4	A 9 0 5 2 0 2 4	Switch RS-001	1	
2 5	HH 4 8 2 0 0 0	H-Guide front pulley bracket	1	
2 6	HH 4 8 2 1 1 0	Pulley shaft bolt cap	1	
2 7	A 9 0 1 2 0 5 2	E-Ring (φ10)	2	
2 8	HP 4 8 2 9 8 0	Pantograph driving pulley (Front) S5M	2	
2 9	HH 4 8 1 9 9 1	Timing pulley shaft	2	
3 0		Hex. bolt M4×40		
3 1	KU 4 6 0 2 7 0	Plate nut (M3)	1	
3 2	KN 4 8 0 0 6 1	Rail base felt SR 100×38×6	2	
3 3		Hex. nut M5		
3 4		Hex. socket bolt M3×6		
3 5		Hex. socket bolt M6×25		
3 6		Hex. socket bolt M5×18		
3 7		Hex. socket bolt M4×15		
3 8		Hex. socket bolt M5×20		
3 9		Hex. nut M8		
4 0		Hex. socket set screw M5×8		
4 1		Hex. socket bolt M8×45		
4 2		Truss screw M3×6		
4 3		Truss screw M4×8		
4 4		Hex. socket bolt M4×25		
4 5		Hex. bolt M4×25		

From the library of: Diamond Needle Corp

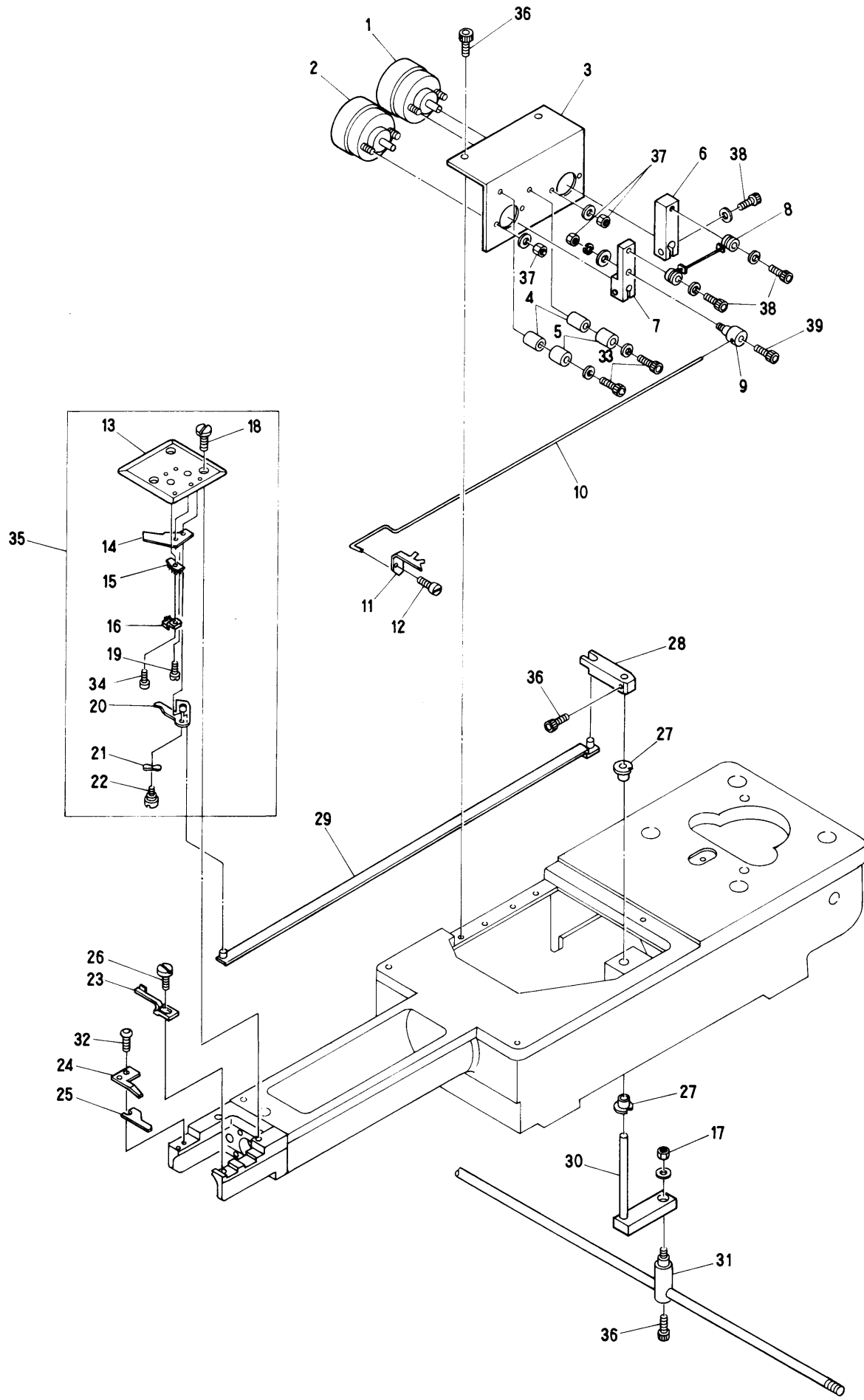


From the library of: Diamond Needle Corp

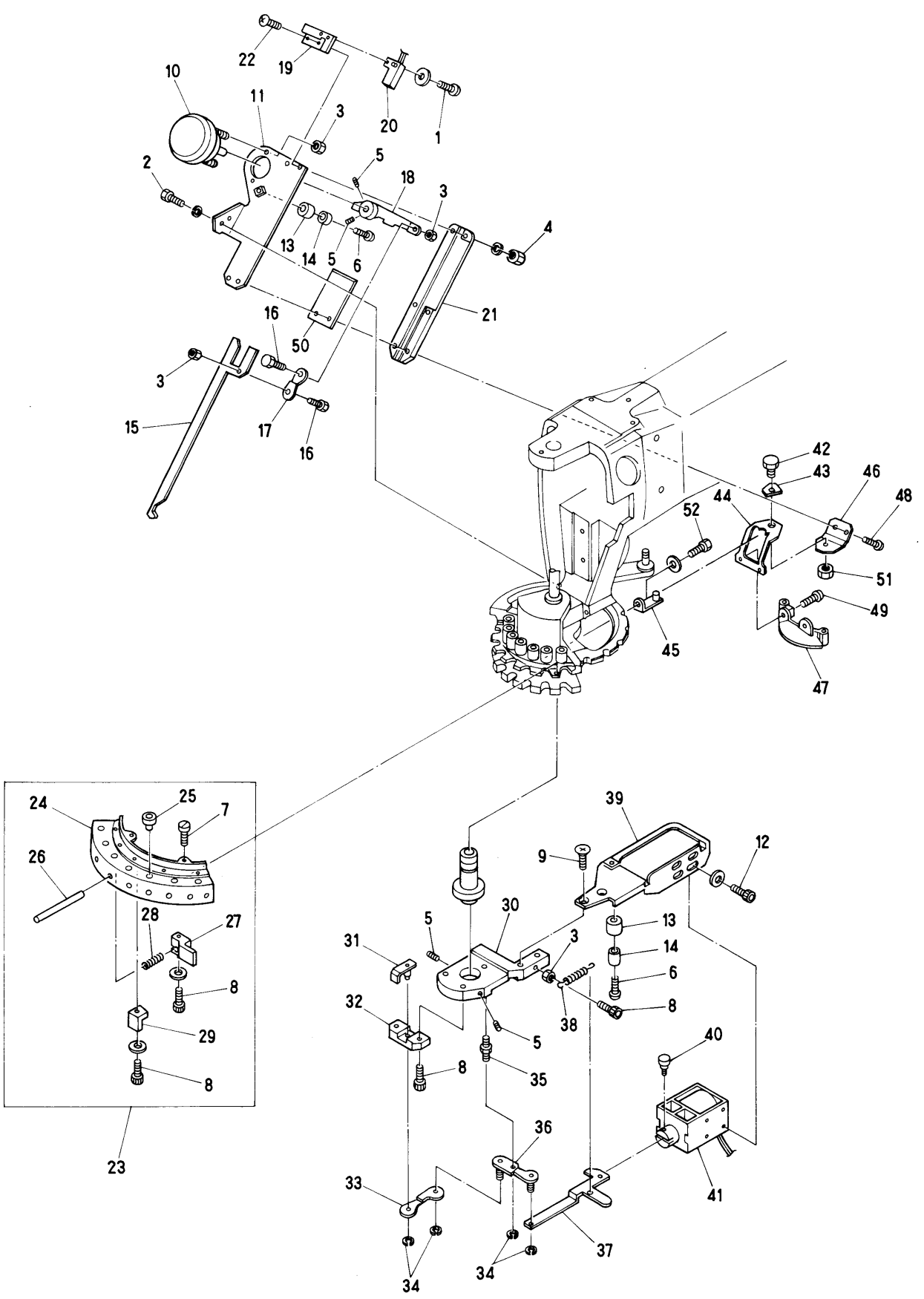
⑬ Control system (BEAT-M802) II

ITEM	LIST No.	DESCRIPTION	Q'TY	REMARK
1	EAN017A0	STX Controller	1	
2	MT511220	STX Controller fixing base	1	
3	MT511210	Controller fixing pipe	1	
4	MT510622	Cable duct No.1	1	
5	EBN01550	M7000 3.5 inch FDD (7011-1138)	2	
6	EBN00580	SDU Control mother board (7020-2300)	1	
7	EBN01430	SDU Memory board (DAB-5)	1	
8	EBN00620	SDU Control board (7020-2100)	1	
9	EBN00630	SDU Power board (7020-2200)	1	
10	EBN01560	M7000 HDD (7011-1139)	1	
11	EBN00640	Stepping motor driver (7020-2800)	2	
12	EBN00560	SDU Driver mother board (7020-2700)	1	
13	MT510631	Cable duct No.2	1	
14	EBN01540	M7000 HDD Control board (7011-0019)	1	
15	EAN016A2	Driver SDU	1	
16	EAN019A3	802 Transformer (1P)	1	
17	KF530160	Bar switch	1	
18	KF530170	Bar switch cap	2	
19	KC530240	Bar switch bracket (S-Cylinder)	5	
20	KF530111	Push button switch MS319 (Red)	1	
	KF530120	Push button switch MS319 (Green)	1	
21	KC530230	Bar switch bracket (L-Cylinder)	4	
22	KF530150	Push button switch cap	2	
23	MT511240	STX Controller fixing spacer	1	
24	EBN00720	STX Mother board (7020-1300)	1	
25	EBN00680	FUTABA 2 indicator (M202SD03C)	1	
26	EBN00730	STX Control board (7020-1200)	1	
27	EBN00740	STX Keyboard (7020-1400)	1	
28	EBN00760	M7000 CPU board (7011-0014)		
29		Hex. nut M10		
30		Hex. nut M8		
31		Hex. socket bolt M6×30		
32		Hex. nut M6		
33		Tapping screw M4×20		
34	FA911096	BEAT nofuse braker	1	
35	90H00205	BECS-89P 14 inch	1	
36	EAN038A0	BEAT M7000 STX. SDU set	1	
37	FA911112	M7000 BECS-P (MK-Mouse 3)	1	
38	EBN01510	M7000 Keyboard unit (7011-4501)	1	
39	EBN00840	Connector board (7011-4300)	1	
40	EBN00770	M7000 Monitor I/F board (7011-0015)	1	
41	EBN00850	M7000 Power source unit (7011-0013)	1	
42	EBN00950	M7000 BECS Punching 186 NDP board	1	
43	EBN01530	M7000 CG board (8211-7050)	1	
44	EBN00780	M7000 HDD I/F board (7011-0016)	1	

From the library of: Diamond Needle Corp



From the library of: Diamond Needle Corp



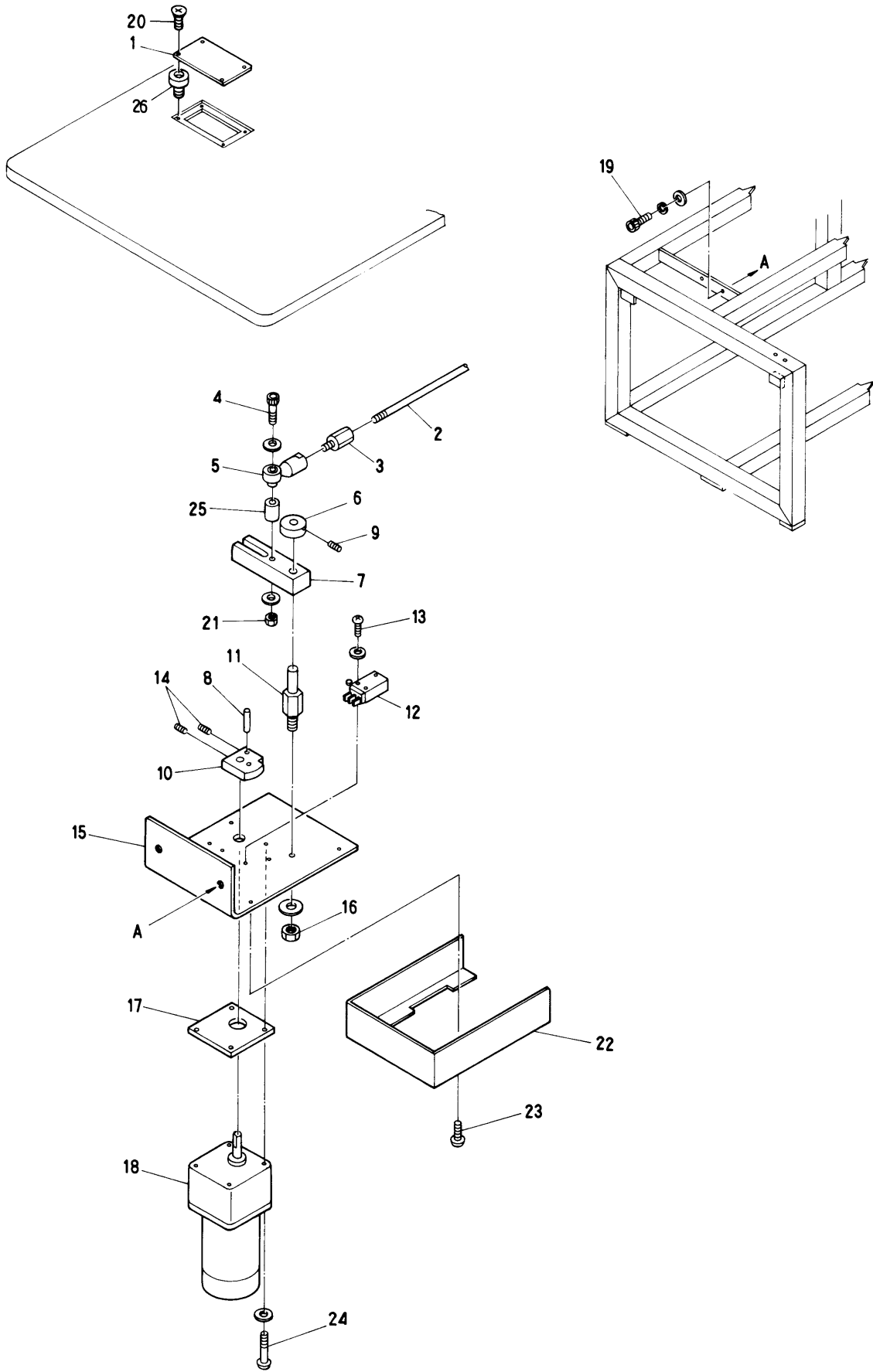
From the library of: Diamond Needle Corp

⑮ Thread cutting mechanism II

(N=Needle Q'ty)

ITEM	LIST No.	DESCRIPTION	Q'TY	REMARK
1		Truss screw M3×6		
2		Hex. socket bolt M4×12		
3		Hex. nut M4		
4		Hex. nut M3		
5		Hex. socket set screw M4×8		
6		Truss screw M4×16		
7		Set screw (SM9/64 40)		
8		Hex. socket bolt M4×10		
9		Pan screw M4×8		
10	A 9 0 5 6 0 1 8	Rotary solenoid (4ER67.5-34×8×9)	1	
11	KL 2 7 0 0 8 1	Thread away base	1	
12		Hex. socket bolt M3×6		
13	KL 2 7 0 1 5 0	Eccentric cover	2	
14	KL 2 7 0 1 4 0	Stopper eccentric	2	
15	KL 2 7 0 1 0 1	Thread away hook	1	
16	KL 2 7 0 1 3 0	Lever connecting pin	2	
17	KL 2 7 0 1 2 0	Connecting plate	1	
18	KL 2 7 0 1 1 0	Thread away solenoid lever	1	
19	KL 2 7 0 2 6 0	Switch stay	1	
20	A 9 0 5 2 0 2 8	Limit switch (RS-603)	1	
21	KL 2 7 0 0 9 1	Thread away hook guide	1	
22		Truss screw M3×10		
23	KC 2 7 0 7 6 1	Thread support apron UF a'ssy (5)	1	
	KG 2 7 0 7 6 0	Thread support apron US a'ssy (7)	1	
24	KC 2 7 0 2 8 3	Thread support apron (5)	1	
	KG 2 7 0 2 8 2	Thread support apron (7)	1	
25	KF 2 3 0 5 8 0	Take up lever ceramic	N×1	
26	KG 2 7 0 3 1 0	Thread support pin	N×1	
27	KC 2 7 0 3 0 1	Thread support clamp	N×1	
28	KC 2 7 0 2 7 1	Support spring	N×1	
29	KC 2 7 0 2 9 2	Thread support block	N×1	
30	KL 2 7 0 0 0 0	Fixing base	1	
31	KL 2 7 0 0 2 0	Thread support slider	1	
32	KL 2 7 0 0 1 0	Slide base	1	
33	KL 2 7 0 0 3 0	Driving plate	1	
34	A 9 0 1 2 0 5 6	E-Ring φ3	4	
35	KL 2 7 0 0 4 0	Lever turret pin	1	
36	KL 2 7 0 0 5 0	Solenoid lever	1	
37	KL 2 7 0 0 6 0	Lever connecting plate	1	
38	KL 2 7 0 5 2 0	Return spring	1	
39	KL 2 7 0 0 7 0	Solenoid stay	1	
40	KC 2 7 0 1 0 1	Solenoid pin	1	
41	A 9 0 5 6 0 1 3	Keep solenoid (TDS-K10SL)	1	
42	KL 2 7 0 4 1 0	Thread hanger plate rotary shaft	1	
43	A 9 0 1 3 0 4 5	Wave washer (WW-5)	1	

From the library of: Diamond Needle Corp



From the library of: Diamond Needle Corp

I N D E X

L I S T	No.	PAGE No.	ITEM	L I S T	No.	PAGE No.	ITEM
1 P U 0 2 5 2 0		1 8	1 6	A 9 0 5 2 0 2 6		2 4	2
9 0 H 0 0 2 0 5		3 0	3 5	A 9 0 5 2 0 2 6		2 6	2 2
9 Z 1 9 0 0 2 2		2 8	2 9	A 9 0 5 2 0 2 8		3 4	2 0
A 9 0 1 0 0 1 7		6	5	A 9 0 5 6 0 0 7		3 4	1 0
A 9 0 1 0 0 1 7		1 8	5	A 9 0 5 6 0 0 8		3 2	2
A 9 0 1 1 0 2 1		8	7	A 9 0 5 6 0 1 2		3 2	1
A 9 0 1 1 0 2 1		1 0	3 2	A 9 0 5 6 0 1 3		3 4	4 1
A 9 0 1 1 0 2 2		1 0	3 4	A 9 0 5 6 0 2 0		1 0	4 5
A 9 0 1 1 0 2 3		1 0	3 1	A 9 0 6 5 0 2 6		3 6	1 8
A 9 0 1 1 0 6 3		2 4	1 6	E A N 0 1 6 A 1		2 8	1
A 9 0 1 1 0 6 3		2 6	1 6	E A N 0 1 6 A 2		2 8	1 5
A 9 0 1 1 1 1 5		1 0	9	E A N 0 1 6 A 2		3 0	1 5
A 9 0 1 1 1 5 2		8	6	E A N 0 1 7 A 0		3 0	1
A 9 0 1 2 0 0 1		1 4	3 1	E A N 0 1 9 A 3		2 8	1 6
A 9 0 1 2 0 0 2		1 4	4	E A N 0 1 9 A 3		3 0	1 6
A 9 0 1 2 0 0 2		3 6	5	E A N 0 3 8 A 0		3 0	3 6
A 9 0 1 2 0 0 3		1 0	6 0	E B N 0 0 1 8 0		3 0	4 4
A 9 0 1 2 0 0 5		1 0	6 0	E B N 0 0 5 6 0		2 8	1 2
A 9 0 1 2 0 0 7		6	3 4	E B N 0 0 5 6 0		3 0	1 2
A 9 0 1 2 0 0 7		3 2	2 6	E B N 0 0 5 8 0		2 8	6
A 9 0 1 2 0 2 7		6	5 7	E B N 0 0 5 8 0		3 0	6
A 9 0 1 2 0 3 2		4	5	E B N 0 0 6 0 0		2 8	7
A 9 0 1 2 0 5 1		1 0	5 5	E B N 0 0 6 2 0		2 8	8
A 9 0 1 2 0 5 2		2 4	2 2	E B N 0 0 6 2 0		3 0	8
A 9 0 1 2 0 5 2		2 6	2 7	E B N 0 0 6 3 0		2 8	9
A 9 0 1 2 0 5 3		1 0	7 5	E B N 0 0 6 3 0		3 0	9
A 9 0 1 2 0 5 6		3 4	3 4	E B N 0 0 6 4 0		2 8	1 1
A 9 0 1 2 1 1 4		3 2	2 7	E B N 0 0 6 4 0		3 0	1 1
A 9 0 1 2 1 1 6		1 4	5 2	E B N 0 0 6 5 0		1 2	1 2
A 9 0 1 2 1 6 4		8	2 9	E B N 0 0 6 6 0		1 4	1 5
A 9 0 1 2 1 9 0		1 0	4	E B N 0 0 6 7 0		2 8	2 3
A 9 0 1 2 2 0 8		1 4	3 2	E B N 0 0 6 8 0		2 8	2 4
A 9 0 1 2 2 1 1		2 8	3 0	E B N 0 0 6 8 0		3 0	2 5
A 9 0 1 2 2 1 6		4	2 4	E B N 0 0 6 9 0		2 8	2 5
A 9 0 1 2 2 9 1		1 0	2 8	E B N 0 0 7 0 0		2 8	2 6
A 9 0 1 3 0 4 5		3 2	2 1	E B N 0 0 7 1 0		2 8	2 7
A 9 0 1 3 0 4 5		3 4	4 3	E B N 0 0 7 2 0		3 0	2 4
A 9 0 1 4 0 5 1		1 0	5 4	E B N 0 0 7 3 0		3 0	2 6
A 9 0 1 4 0 6 3		6	6 0	E B N 0 0 7 4 0		3 0	2 7
A 9 0 2 0 0 9 8		2 4	7	E B N 0 0 7 6 0		3 0	2 8
A 9 0 2 0 0 9 8		2 6	6	E B N 0 0 7 7 0		3 0	4 0
A 9 0 2 0 1 1 8		2 0	3	E B N 0 0 8 4 0		3 0	3 9
A 9 0 5 2 0 0 5		3 6	1 2	E B N 0 0 8 5 0		3 0	4 1
A 9 0 5 2 0 2 4		2 4	2 6	E B N 0 0 9 3 0		3 0	4 5
A 9 0 5 2 0 2 4		2 6	2 4	E B N 0 0 9 5 0		3 0	4 2

I N D E X

L I S T	No.	PAGE No.	ITEM	L I S T	No.	PAGE No.	ITEM
E B N 0 1 1 0 0		1 2	1 2	H B 2 4 0 0 5 0		1 0	4 8
E B N 0 1 4 3 0		3 0	7	H B 2 4 0 0 7 0		1 0	5 3
E B N 0 1 5 1 0		3 0	3 8	H B 2 4 0 0 8 0		1 0	5 8
E B N 0 1 5 2 0		3 0	4 6	H B 2 4 0 0 9 0		1 0	5 7
E B N 0 1 5 3 0		3 0	4 3	H B 2 4 0 1 1 0		1 0	5 2
E B N 0 1 5 4 0		3 0	1 4	H B 2 4 0 1 7 1		8	1 8
E B N 0 1 5 5 0		3 0	5	H B 2 4 0 1 8 0		8	2
E B N 0 1 5 6 0		3 0	1 0	H B 2 4 0 2 6 0		1 2	1 1
F A 9 1 1 0 9 6		2 8	5	H B 2 4 0 2 7 0		1 2	1 1
F A 9 1 1 0 9 6		3 0	3 4	H B 2 4 0 2 8 0		8	1 8
F A 9 1 1 1 1 2		3 0	3 7	H B 2 4 0 2 9 0		8	2
H B 2 3 0 1 4 0		1 0	3 3	H B 2 4 0 3 1 0		1 0	7 9
H B 2 3 0 1 6 0		8	2 0	H B 2 4 0 3 3 0		1 0	8 2
H B 2 3 0 1 7 0		1 0	1 3	H B 2 4 0 3 4 0		1 0	8 1
H B 2 3 0 2 7 0		8	2 1	H H 3 3 0 2 8 1		1 4	1 3
H B 2 3 0 2 9 0		8	4	H H 4 8 1 9 3 1		2 4	1 3
H B 2 3 0 3 1 0		8	1 5	H H 4 8 1 9 3 1		2 6	1 1
H B 2 3 0 3 2 0		8	1 1	H H 4 8 1 9 7 0		2 4	1 4
H B 2 3 0 3 3 1		8	1 2	H H 4 8 1 9 7 0		2 6	1 7
H B 2 3 0 3 7 1		1 0	1 0	H H 4 8 1 9 8 0		2 4	1 8
H B 2 3 0 3 8 1		1 0	5	H H 4 8 1 9 8 0		2 6	1 3
H B 2 3 0 3 9 0		1 0	3	H H 4 8 1 9 9 1		2 4	2 0
H B 2 3 0 4 0 1		1 0	1	H H 4 8 1 9 9 1		2 6	2 9
H B 2 3 0 4 1 4		1 0	1 2	H H 4 8 2 0 0 0		2 4	2 8
H B 2 3 0 4 2 0		1 0	1 1	H H 4 8 2 0 0 0		2 6	2 5
H B 2 3 0 4 3 1		1 0	3 0	H H 4 8 2 1 1 0		2 4	2 9
H B 2 3 0 4 4 1		1 0	3 0	H H 4 8 2 1 1 0		2 6	2 6
H B 2 3 0 4 6 0		1 0	4 2	H P 2 3 1 3 9 0		6	1 3
H B 2 3 0 4 7 0		1 0	4 3	H P 2 4 1 1 1 2		1 2	6
H B 2 3 0 5 1 1		1 0	1 7	H P 2 4 1 1 2 2		1 2	6
H B 2 3 0 5 2 1		1 0	1 6	H P 2 4 1 1 5 0		1 2	2
H B 2 3 0 5 3 1		1 0	1 5	H P 2 4 1 1 6 0		1 2	7
H B 2 3 0 5 4 0		1 0	1 8	H P 2 4 1 1 7 0		1 2	3
H B 2 3 0 5 5 0		1 0	2 9	H P 2 4 1 1 8 0		1 2	3
H B 2 3 0 5 6 0		1 0	7 2	H P 2 4 1 3 7 1		1 2	8
H B 2 3 0 5 7 0		1 0	8 4	H P 2 4 1 3 8 1		1 2	8
H B 2 3 0 5 8 0		1 0	7 7	H P 2 4 1 4 0 0		1 2	1 4
H B 2 3 0 5 9 0		1 0	2	H P 2 4 1 4 1 0		1 2	1
H B 2 3 0 6 0 0		1 0	8 3	H P 2 4 1 4 3 0		1 6	4
H B 2 3 0 6 1 0		1 0	8 3	H P 2 4 1 4 5 0		1 2	4
H B 2 3 0 6 5 0		8	3 5	H P 2 4 1 4 6 0		1 2	4
H B 2 3 0 7 0 0		1 0	8 0	H P 2 4 1 4 7 0		1 2	1 0
H B 2 4 0 0 2 0		1 0	5 0	H P 2 4 1 4 8 0		1 2	1 0
H B 2 4 0 0 3 0		1 0	5 1	H P 2 5 0 0 5 0		1 2	2 0
H B 2 4 0 0 4 0		1 0	4 9	H P 3 2 1 1 4 0		1 8	7

From the library of: Diamond Needle Corp

I N D E X

L I S T No.	PAGE No.	ITEM	L I S T No.	PAGE No.	ITEM
HP 4 8 2 9 1 0	2 4	1 2	K C 2 2 0 2 1 0	6	4 0
HP 4 8 2 9 1 0	2 6	7	K C 2 2 0 6 4 0	6	4 5
HP 4 8 2 9 4 0	2 4	8	K C 2 2 0 6 4 1	3 2	2 3
HP 4 8 2 9 4 0	2 6	5	K C 2 5 0 4 7 1	6	5 5
HP 4 8 2 9 5 0	2 4	6	K C 2 5 0 4 8 1	6	5 4
HP 4 8 2 9 5 0	2 6	4	K C 2 5 1 3 3 0	6	4 6
HP 4 8 2 9 8 0	2 4	2 1	K C 2 7 0 1 0 1	3 4	4 0
HP 4 8 2 9 8 0	2 6	2 8	K C 2 7 0 2 7 1	3 4	2 8
HP 4 8 2 9 9 0	2 4	1 7	K C 2 7 0 2 8 3	3 4	2 4
HP 4 8 2 9 9 0	2 6	1 4	K C 2 7 0 2 9 2	3 4	2 9
HP 4 8 3 1 1 1	2 6	1	K C 2 7 0 3 0 1	3 4	2 7
HP 4 8 3 3 7 0	2 4	3	K C 2 7 0 7 6 1	3 4	2 3
HP 4 8 3 3 7 0	2 6	2	K C 2 7 0 9 5 0	3 2	2 0
HP 7 1 0 7 9 0	1 6	7	K C 2 7 0 9 6 0	3 2	1 4
KB 2 1 0 1 6 0	6	2 3	K C 2 7 0 9 7 0	3 2	2 2
KB 2 1 0 1 7 0	1 0	4 6	K C 2 7 0 9 8 0	3 2	1 9
KB 2 3 0 0 1 0	6	4 7	K C 2 7 1 0 0 0	3 2	1 2
KB 2 3 0 0 3 0	6	3 1	K C 2 7 1 0 2 1	3 2	1 1
KB 2 3 0 0 5 0	6	3 3	K C 2 7 1 0 3 1	3 2	1 0
KB 2 3 0 0 6 0	1 0	8	K C 2 7 1 0 4 1	3 2	9
KB 2 3 0 0 7 0	1 0	7	K C 2 7 1 0 7 0	3 2	2 9
KB 2 3 0 0 8 0	1 0	6	K C 2 7 1 1 2 0	3 2	2 8
KB 2 3 0 0 9 0	8	5	K C 2 7 1 1 3 0	3 2	3 0
KB 2 3 0 1 0 0	8	8	K C 2 7 1 1 4 0	3 6	7
KB 2 3 0 1 1 0	8	9	K C 2 7 1 1 5 1	3 6	1 1
KB 2 3 0 1 2 0	8	1 0	K C 2 7 1 1 6 2	3 6	1 5
KB 2 3 0 1 3 0	8	1 9	K C 2 7 1 1 7 2	3 6	1 0
KB 2 3 0 1 4 0	8	1 7	K C 2 7 1 4 3 0	3 6	1 7
KB 2 3 0 1 5 0	8	1 6	K C 2 7 1 4 4 0	3 6	1
KB 2 3 0 1 6 1	8	1	K C 2 7 1 9 4 0	3 2	7
KB 2 3 0 1 7 0	1 0	4 4	K C 2 7 1 9 5 0	3 2	6
KB 2 3 0 3 1 0	8	3 6	K C 2 7 1 9 6 0	3 2	3
KB 2 4 0 0 1 0	8	1 4	K C 3 2 0 5 9 0	1 8	1
KB 2 4 0 0 2 0	8	3	K C 3 3 0 1 3 0	1 4	1 6
KB 2 4 0 0 3 0	1 0	4 7	K C 3 3 0 1 6 1	1 4	2 1
KB 2 4 0 0 4 0	1 0	5 6	K C 3 3 0 1 7 0	1 4	1 4
KB 2 4 0 0 5 1	1 2	1 3	K C 3 3 0 1 8 0	1 4	2 2
KB 2 4 0 0 6 0	1 2	1 6	K C 3 3 0 1 8 0	3 6	6
KB 2 4 0 0 7 0	1 2	1 6	K C 3 3 0 1 9 0	1 4	2 0
KB 2 4 0 1 0 0	1 2	1 5	K C 3 3 0 2 1 0	1 4	1 8
KB 2 5 0 0 2 0	1 2	1 7	K C 3 3 0 2 3 0	1 4	7
KB 2 5 0 0 3 0	1 2	1 8	K C 3 3 0 2 6 0	1 4	1
KB 2 5 0 0 4 0	1 2	1 9	K C 3 3 0 2 9 0	1 4	6
KB 2 5 0 0 5 0	1 2	2 1	K C 3 3 0 3 1 0 3 8 0	1 0	5 9
KB 2 5 0 0 6 0	1 2	2 2	K C 3 3 0 4 1 0	1 0	4 1

From the library of: Diamond Needle Corp

I N D E X

L I S T	No.	PAGE No.	ITEM	L I S T	No.	PAGE No.	ITEM
K C 3 3 0 4 1 0		3 6	2	K F 5 3 0 1 1 1		3 0	2 0
K C 3 3 0 5 1 0		1 4	3	K F 5 3 0 1 2 0		2 8	2 0
K C 3 3 0 5 1 0		3 6	3	K F 5 3 0 1 2 0		3 0	2 0
K C 3 3 0 6 1 0		1 4	2 7	K F 5 3 0 1 5 0		2 8	2 2
K C 3 3 0 8 1 0		1 4	2 8	K F 5 3 0 1 5 0		3 0	2 2
K C 3 3 0 8 5 0		1 4	2	K F 5 3 0 1 6 0		2 8	1 7
K C 4 8 0 3 5 0		2 2	3	K F 5 3 0 1 6 0		3 0	1 7
K C 5 1 0 2 4 0		2 0	1 2	K F 5 3 0 1 7 0		2 8	1 8
K C 5 3 0 2 3 0		2 8	2 1	K F 5 3 0 1 7 0		3 0	1 8
K C 5 3 0 2 3 0		3 0	2 1	K F 5 4 0 3 5 0		1 8	9
K C 5 3 0 2 4 0		2 8	1 9	K F 7 1 0 2 8 0		1 6	6
K C 5 3 0 2 4 0		3 0	1 9	K G 2 3 0 0 2 0		1 0	1 9
K E 3 3 0 9 8 0		1 4	1 7	K G 2 3 0 6 1 0		1 4	1 0
K F 2 2 0 1 3 0		6	1 1	K G 2 4 1 0 2 0		1 2	5
K F 2 2 0 2 3 0		6	4 4	K G 2 5 0 0 1 0		1 2	2 0
K F 2 2 0 2 7 0		6	2 7	K G 2 7 0 2 8 2		3 4	2 4
K F 2 2 0 2 9 0		6	3 7	K G 2 7 0 3 1 0		3 4	2 6
K F 2 2 0 4 1 0		6	5 1	K G 2 7 0 7 6 0		3 4	2 3
K F 2 2 0 4 4 0		6	5 2	K G 3 3 0 1 5 0		1 4	2 3
K F 2 2 0 4 6 0		6	1 9	K G 3 3 0 2 2 0		1 4	2 4
K F 2 2 0 4 7 0		6	2 6	K G 7 1 1 1 7 0		1 6	3
K F 2 2 0 4 8 0		6	3 5	K L 2 1 0 1 1 3		6	3
K F 2 2 0 7 8 0		6	4 9	K L 2 1 0 1 4 0		6	1 7
K F 2 3 0 2 1 0		1 0	2 7	K L 2 2 0 0 0 0		6	1 6
K F 2 3 0 2 3 0		1 0	2 2	K L 2 2 0 0 1 0		6	2 4
K F 2 3 0 2 4 0		1 0	2 3	K L 2 2 0 0 2 0		6	2 9
K F 2 3 0 2 5 0		1 0	2 4	K L 2 2 0 0 3 0		6	1 5
K F 2 3 0 3 6 0		1 4	2 5	K L 2 2 0 0 4 0		6	6
K F 2 3 0 4 2 0		6	3 0	K L 2 2 0 0 5 0		6	2 1
K F 2 3 0 5 0 0		8	1 3	K L 2 2 0 0 6 0		6	2 5
K F 2 3 0 5 8 0		8	2 2	K L 2 2 0 0 7 0		6	3 6
K F 2 3 0 5 8 0		3 4	2 5	K L 2 2 0 0 8 0		6	1 2
K F 2 3 0 6 3 0		1 0	3 8	K L 2 2 0 0 9 0		6	4
K F 2 3 0 6 3 0		1 4	1 1	K L 2 2 0 1 0 0		6	1
K F 2 3 0 6 4 0		1 0	3 9	K L 2 2 0 1 2 0		6	4 1
K F 2 3 0 6 5 0		1 0	3 7	K L 2 2 0 1 3 0		6	1 4
K F 2 3 0 6 6 1		1 0	3 6	K L 2 2 0 1 4 0		6	2 0
K F 2 3 0 6 7 0		1 0	3 5	K L 2 2 0 1 5 0		6	8
K F 2 3 0 9 1 0		1 0	2 0	K L 2 3 0 1 1 0		1 0	2 5
K F 2 3 0 9 2 0		1 0	2 6	K L 2 3 0 2 8 0		1 0	6 9
K F 2 3 0 9 3 0		1 0	2 1	K L 2 5 0 0 4 0		6	7
K F 2 4 0 9 0 0		1 6	5	K L 2 5 0 0 5 1		6	5 9
K F 2 5 0 9 0 0		6	4 2	K L 2 5 0 0 7 0		6	5 6
K F 3 3 0 3 8 1		1 0	4 0	K L 2 7 0 0 0 0		3 4	3 0
K F 5 3 0 1 1 1		2 8	2 0	K L 2 7 0 0 1 0		3 4	3 2

From the library of: Diamond Needle Corp

I N D E X

L I S T	No.	PAGE No.	ITEM	L I S T	No.	PAGE No.	ITEM
KL 2 7 0 0 2 0		3 4	3 1	KU 2 7 0 0 1 0		3 2	3 1
KL 2 7 0 0 3 0		3 4	3 3	KU 3 1 0 1 6 1		1 8	1 0
KL 2 7 0 0 4 0		3 4	3 5	KU 3 1 2 7 2 0		2 0	4
KL 2 7 0 0 5 0		3 4	3 6	KU 3 1 2 7 3 0		2 0	1
KL 2 7 0 0 6 0		3 4	3 7	KU 3 1 2 7 6 1		2 0	2
KL 2 7 0 0 7 0		3 4	3 9	KU 3 1 5 2 5 0		2 0	2 3
KL 2 7 0 0 8 1		3 4	1 1	KU 4 6 0 2 7 0		2 4	2 7
KL 2 7 0 0 9 1		3 4	2 1	KU 4 6 0 2 7 0		2 6	3 1
KL 2 7 0 1 0 1		3 4	1 5	KU 4 8 3 1 8 0		2 6	3
KL 2 7 0 1 1 0		3 4	1 8	KU 5 1 0 7 6 1 0 2 5 2 0		1 6	1
KL 2 7 0 1 2 0		3 4	1 7	KU 5 1 0 8 7 1 0 2 5 2 0		1 6	1
KL 2 7 0 1 3 0		3 4	1 6	KU 7 1 1 1 7 0		1 6	3
KL 2 7 0 1 4 0		3 4	1 4	MA 1 4 0 3 1 0		4	3
KL 2 7 0 1 5 0		3 4	1 3	MA 1 4 0 3 2 0		4	4
KL 2 7 0 2 6 0		3 4	1 9	MA 1 4 0 3 8 0		4	6
KL 2 7 0 3 6 0		3 2	8	MA 1 4 0 6 2 0		4	7
KL 2 7 0 3 8 0		3 2	1 3	MA 1 5 1 5 0 0		4	2
KL 2 7 0 3 9 0		3 2	3 5	MA 2 1 0 2 1 0		6	2 8
KL 2 7 0 4 0 0		3 4	4 7	MA 2 5 0 1 3 1		6	4 3
KL 2 7 0 4 1 0		3 4	4 2	MA 3 3 0 7 0 0		1 4	1 9
KL 2 7 0 4 2 0		3 4	4 5	MA 4 8 0 4 9 0		2 4	3 0
KL 2 7 0 4 3 0		3 4	4 4	MA 4 8 0 4 9 0		2 6	1 9
KL 2 7 0 4 4 0		3 4	4 6	MA 4 8 2 1 4 0		2 2	8
KL 2 7 0 4 5 0		3 4	5 0	MA 4 8 2 1 4 0		2 4	9
KL 2 7 0 5 2 0		3 4	3 8	MA 4 8 2 1 4 0		2 6	8
KL 3 2 0 0 0 0		1 8	6	MT 1 1 1 0 8 4		4	2 3
KL 3 2 0 0 2 0		1 8	3	MT 1 1 1 0 9 1		4	2 0
KL 3 3 0 0 4 0		1 4	2 6	MT 1 1 1 1 0 0		4	1 6
KL 3 3 0 0 5 0		1 4	3 0	MT 1 1 1 1 1 1		4	1 1
KN 2 3 1 3 5 0		1 0	1 4	MT 1 1 1 1 2 1		4	1 2
KN 2 7 1 1 9 1		3 2	1 6	MT 1 1 1 1 3 0		4	2 2
KN 2 7 1 2 2 0		3 2	1 5	MT 1 1 1 1 4 0		4	2 1
KN 2 7 1 6 0 2		3 2	2 5	MT 1 1 1 1 5 0		4	1 3
KN 2 7 1 6 1 0		3 2	2 4	MT 1 1 1 1 6 0		4	1 5
KN 2 7 1 6 5 1		3 2	4	MT 1 1 1 1 7 0		4	1 4
KN 2 7 1 6 6 2		3 2	5	MT 1 1 1 1 8 2		4	1 0
KN 2 7 1 7 1 2		3 6	2 2	MT 1 2 0 1 8 3		4	1
KN 2 7 1 8 0 0		3 6	2 5	MT 1 2 0 8 1 1		4	1 7
KN 2 7 2 3 5 0		3 6	8	MT 1 2 0 8 2 1		4	1 9
KN 3 3 0 2 4 0		1 4	5	MT 1 2 0 8 3 1		4	1 8
KN 3 3 0 2 5 0		1 4	8	MT 1 2 0 8 4 1		4	9
KN 4 8 0 0 6 1		2 4	3 1	MT 1 2 0 9 6 1		4	2 5
KN 4 8 0 0 6 1		2 6	3 2	MT 1 3 0 3 3 0		4	8
KN 4 8 0 4 0 0		2 2	2	MT 1 5 0 0 0 2		4	2 6
KU 2 4 1 4 0 0		1 2	1 4	MT 3 1 0 0 1 0		2 0	7

I N D E X

L I S T No.	PAGE No.	ITEM	L I S T No.	PAGE No.	ITEM
MT 3 1 0 1 3 0	2 0	9	WW 3 1 0 3 1 0	1 8	1 4
MT 3 1 4 3 1 2	2 0	8			
MT 3 1 4 3 9 2	2 0	5			
MT 3 1 4 4 1 0	2 0	1 1			
MT 3 1 4 4 2 0	2 0	1 0			
MT 3 1 5 2 6 0	2 0	6			
MT 3 3 0 6 9 0	1 4	9			
MT 3 3 0 7 9 0	1 4	2 9			
MT 3 3 0 8 0 1	1 4	1 2			
MT 4 5 0 0 0 0	2 2	1			
MT 4 5 0 9 2 0	2 2	4			
MT 4 6 0 2 3 0	2 4	2 5			
MT 4 6 0 2 4 0	2 6	2 3			
MT 4 6 0 2 5 2	2 4	1			
MT 4 6 0 2 6 2	2 6	2 1			
MT 4 6 0 2 8 1	2 4	2 4			
MT 4 6 0 2 9 1	2 6	2 0			
MT 4 7 0 1 1 0	2 2	9			
MT 4 7 0 1 1 0	2 4	1 0			
MT 4 7 0 1 1 0	2 6	9			
MT 4 8 0 1 4 0	2 2	5			
MT 4 8 0 1 5 0	2 2	7			
MT 4 8 0 1 8 0	2 2	6			
MT 4 8 2 8 7 1	2 4	5			
MT 4 8 3 1 4 1	2 4	2 3			
MT 4 8 3 1 5 1	2 6	1 8			
MT 4 8 3 3 6 0	2 4	1 1			
MT 4 8 3 3 6 0	2 6	1 0			
MT 5 1 0 2 1 0	2 0	1 3			
MT 5 1 0 6 2 2	2 8	4			
MT 5 1 0 6 2 2	3 0	4			
MT 5 1 0 6 3 1	2 8	1 3			
MT 5 1 0 6 3 1	3 0	1 3			
MT 5 1 0 6 7 1	1 6	1 0			
MT 5 1 0 6 8 1	1 6	8			
MT 5 1 0 7 9 1	1 6	9			
MT 5 1 1 2 1 0	2 8	3			
MT 5 1 1 2 1 0	3 0	3			
MT 5 1 1 2 2 0	3 0	2			
MT 5 1 1 2 4 0	3 0	2 3			
MT 5 1 1 2 7 0	2 8	2			
MT 5 2 0 4 9 0	2 8	2 8			
WM 4 8 3 2 1 0	2 4	1 5			
WM 4 8 3 2 1 0	2 6	1 5			
WW 3 1 0 3 0 0	1 8	1 2			

